



# E-TON



## ERSATZTEILKATALOG



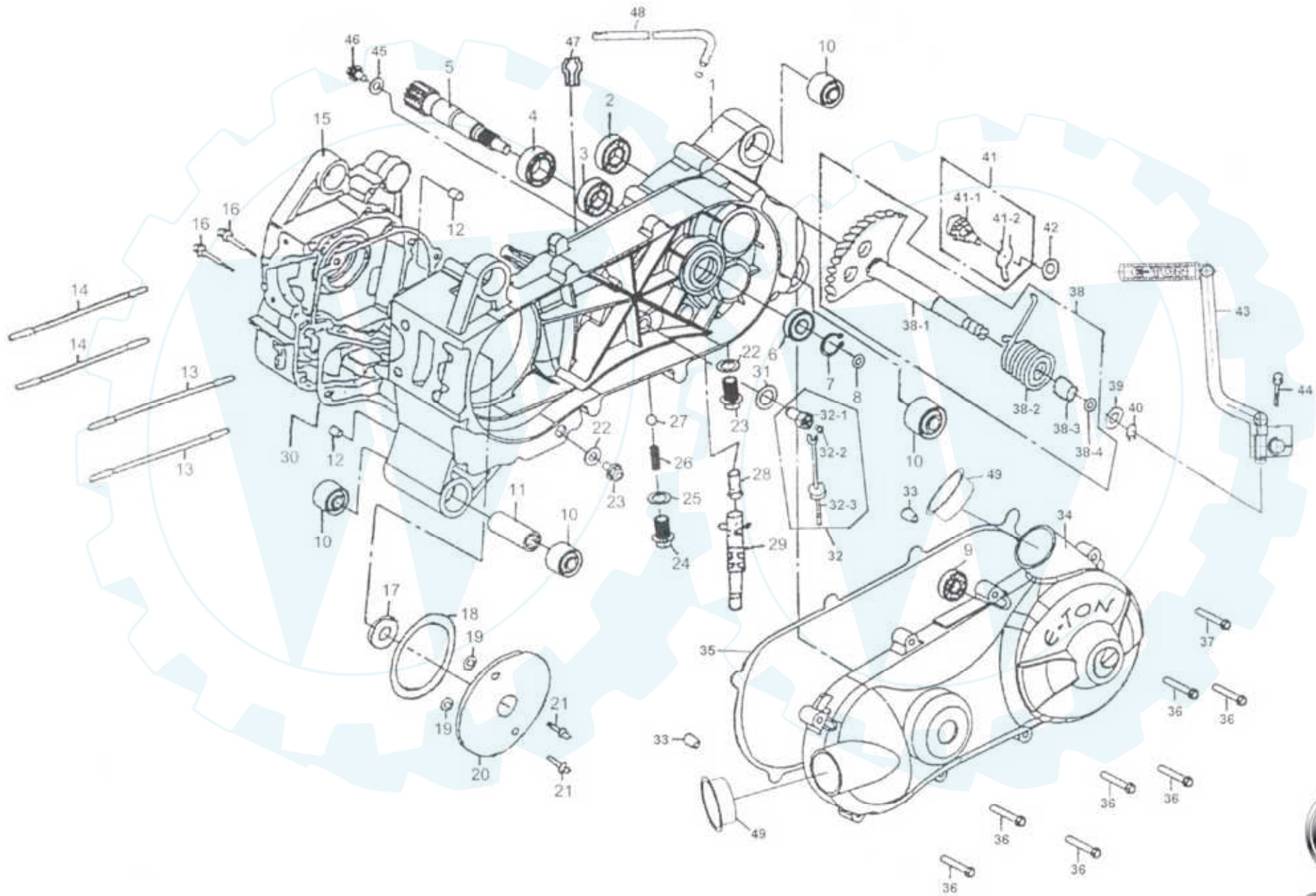
### YUKON 150

# INDEX

Seite	Bezeichnung
1	Kurbelgehäuse, linker Seitendeckel, Kickstarterspindel
2	Kurbelwelle, Kolben, Zylinder, Kettebspanner
3	Ölpumpe, Starter
4	Rechte Kurbelgehäuseabdeckung, Lichtmaschine
5	Ventildeckel, Zylinderkopf, Nockenwelle, Ventile
6	Lüfterabdeckung, Zylinderabdeckung
7	Kupplung, Variomatik
8	Getriebe
9	Gangwahlhebel,
10	Luftfilter
11	Vergaser
12	Ölkühler
13	Motor
14	Auspuff
15	Rahmen
16	Kotflügel - Cover
17	Monolink, Dreieckslenker vorne
18	Sitz
19	Tank
20	Federung
21	Vorderreifen
22	Hinterreifen
23	Vorderbremse
24	Hinterbremse
25	Lenker
26	Stoßstange, Fußrasten
27	Hinterachse
28	Lenkung
29	Elektrik
30	Verpackung



# Kurbelgehäuse, linker Seitendeckel, Kichstarterspindel



## Kurbelgehäuse, linker Seitendeckel, Kichstarterspindel

1.1

1-1	A1200-V30-0900	CRANK CASE L
1-2	I6100-62030	BEARING, BALL ,RADIAL
1-3	I6100-62020	BEARING, BALL ,RADIAL
1-4	I6100-62043	BEARING, BALL, RADIAL
1-5	B3411-V30-0000	SHAFT DRIVE
1-6	I1202-A04-0000	OIL SEAL (20 32 6)
1-7	I4510-2000	CIRCLIP EX
1-8	I4608-09424	O-RING
1-9	I6150-62000-10	BEARING, BALL, RADIAL
1-10	A1103-V30-0000	RUBBER BUSH ENGINE
1-11	A8255-V30-0000	BOSS (A)
1-12	I4301-08140	KNOCK PIN
1-13	I0032-08208-0H	STUD BOLT (B)
1-14	I0031-08200-0H	STUD BOLT (A)
1-15	A1100-V30-0900	CRANK CASE COMP RIGHT
1-16	I6001-06050-0H	BOLT FLANGE
1-17	I1201-A04-9000	OIL SEAL (19.8 30.5)
1-18	I4608-10720	O-RING
1-19	I4608-06017	O-RING
1-20	A1207-A14-0001	PLATE CRANK CASE L
1-21	I6001-06020-0H	BOLT FLANGE
1-22	I4104-12120	WASHER
1-23	I2800-12015-0C	DRAIN PLUG BOLT
1-24	B4305-V30-0000	SCREW FIXING
1-25	I4104-14210	WASHER
1-26	B4306-V30-0000	SPRING FIXED CATCH
1-27	B4307-V30-0000	BALL BEARING
1-28	A1206-V30-0000	CONNECTER TUBE BREATHER



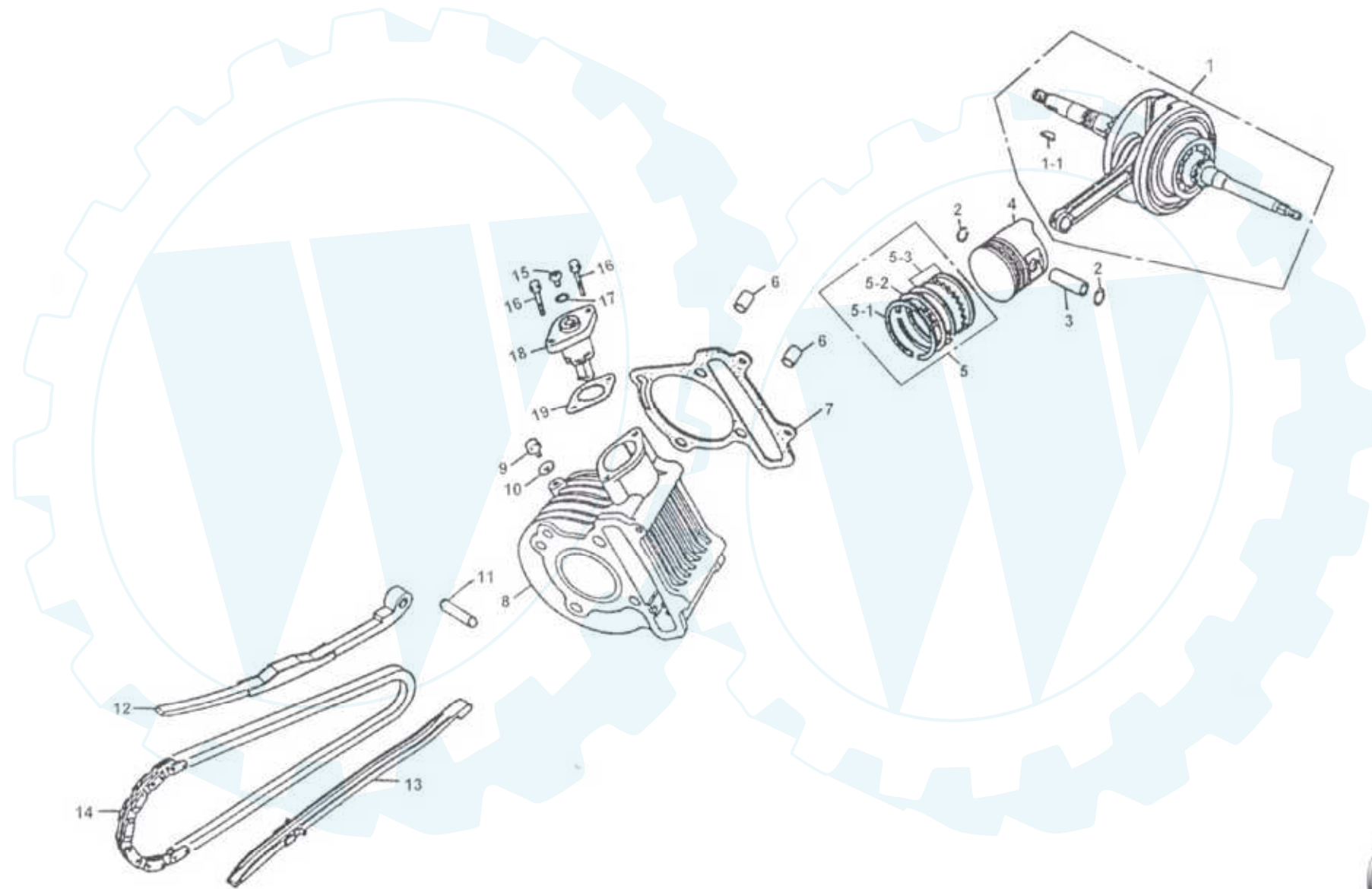
## Kurbelgehäuse, linker Seitendeckel, Kichstarterspindel

1.2

1-29	A7232-V30-0000	DRAIN TUBE	
1-30	A1192-A08-0000	GASKET CRANK CASE	
1-31	I4104-10010	WASHER	
1-32	C5750-V30-0000	NEUTROL SWITCH COMP	
*1-32-1	C5752-V30-0000	NEUTROL SWITCH CONNECTER	
*1-32-2	I3500-04006	SCREW, CROSS RECESS HEAD	
*1-32-3	C5751-V30-0000	WIRING COMP	
1-33	I4301-10140	KNOCK PIN	
1-34	A1341-V30-0300	COVER L SIDE	
1-35	A1395-V30-0000	GASKET L COVER	
1-36	I6001-06040-0C	BOLT,FLANGE	
1-37	I6001-06040-0H	BOLT,FLANGE	
1-38	B825A-V30-0000	SPINDLE ASSY. KICK STARTER	
1-38-1	B8250-A14-0001	SPINDLE COMP KICK STARTER	
1-38-2	B8281-A14-0000	SPG KICK STARTER	
1-38-3	B8253-V30-0000	BOSS KICK SPINDLE	
1-38-4	I4608-13824A	O-RING	
1-39	I4104-14520A	WASHER	
1-40	I4510-14000	CIRCLIP EX 14mm	
1-41	B823A-A14-0001	GEAR ASSY .STARTER IDLE	
*1-41-1	B8230-A14-0001	GEAR COMP KICK DRIVEN	
*1-41-2	B8223-A14-0000	SPG KICK DRIVEN GEAR	
1-42	I4104-10710	WASHER	
1-43	B8300-V30-9000	ARM ASSY. KICK STARTER	
1-44	I5701-06035-0C	BOLT ,FLANGE	
1-45	I0451-06015	WASHER	
1-46	I6001-06012-0H	BOLT ,FLANGE	
1-47	A1106-A00-0000	CONNECTER TUBE BREATHER	1
1-48	A1221-V30-0000	TUBE BREATHER	1
1-49	A1343-V30-0000	DUST GUARD COVER	2



# Kurbelwelle, Kolben, Zylinder, Kettenspanner

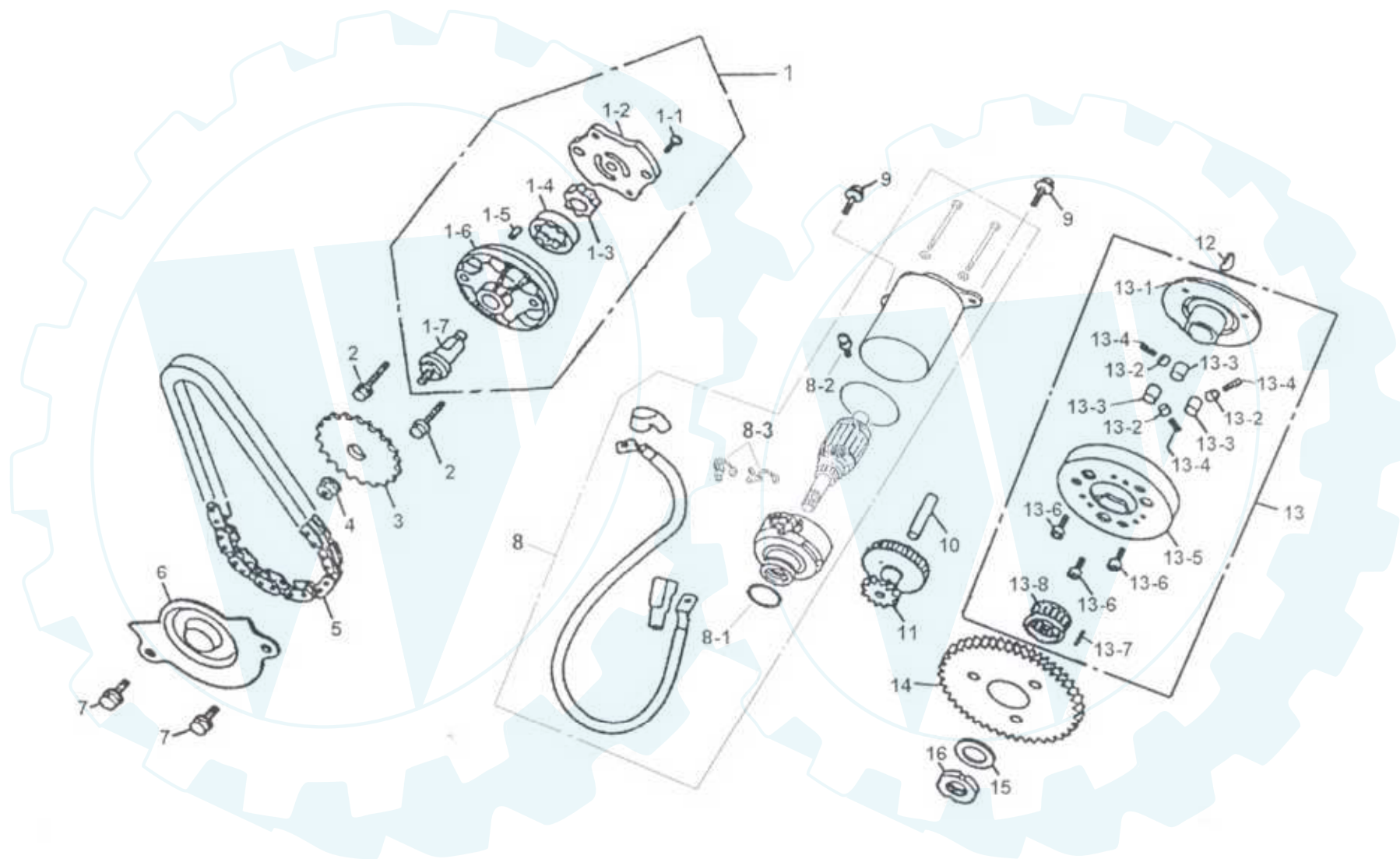


## Kurbelwelle, Kolben, Zylinder, Kettenspanner

2.1

2-1	A3000-V30-0001	CRANK SHAFT COMP
2-1-1	I4401-25046	WOOD RUFF KEY
2-2	I4601-15000	CLIP,PISTON PIN 15mm
2-3	A3111-A08-0000	PIN,PISTON
2-4	A3101-A08-0000	PISTON
2-5	A3011-A08-0000	RING SET,PISTON
*2-5-1	A3121-A08-0000	RING PISTON TOP
*2-5-2	A3131-A08-0000	RING PISTON 2ND
*2-5-3	A3141-A08-0000	RING PISTON OIL
2-6	I4301-10140	PIN DOWEL
2-7	A2191-A08-0000	GASKET CYLINDER
2-8	A2100-A08-0000	CYLINDER COMP
2-9	I5801-06012-0H	BOLT FLANGE
2-10	I4104-06512	WASHER
2-11	I4301-06240	KNOCK PIN
2-12	A4510-A04-0000	GUIDE TENSION CAM CHAIN
2-13	A4610-A04-0000	GUIDE CAM CHAIN
2-14	A4401-A07-0000	CHAIN CAM
2-15	I3700-06005	SCREW, OVAL TAP
2-16	I6001-06020-0H	BOLT FLANGE
2-17	I1306-09515	O-RING
2-18	A4520-A04-0000	LIFTER ASSY .TENSIONER
2-19	A4523-A04-0000	GASKET TENSIONER LIFTER

# Ölpumpe, Starter





# Ölpumpe, Starter

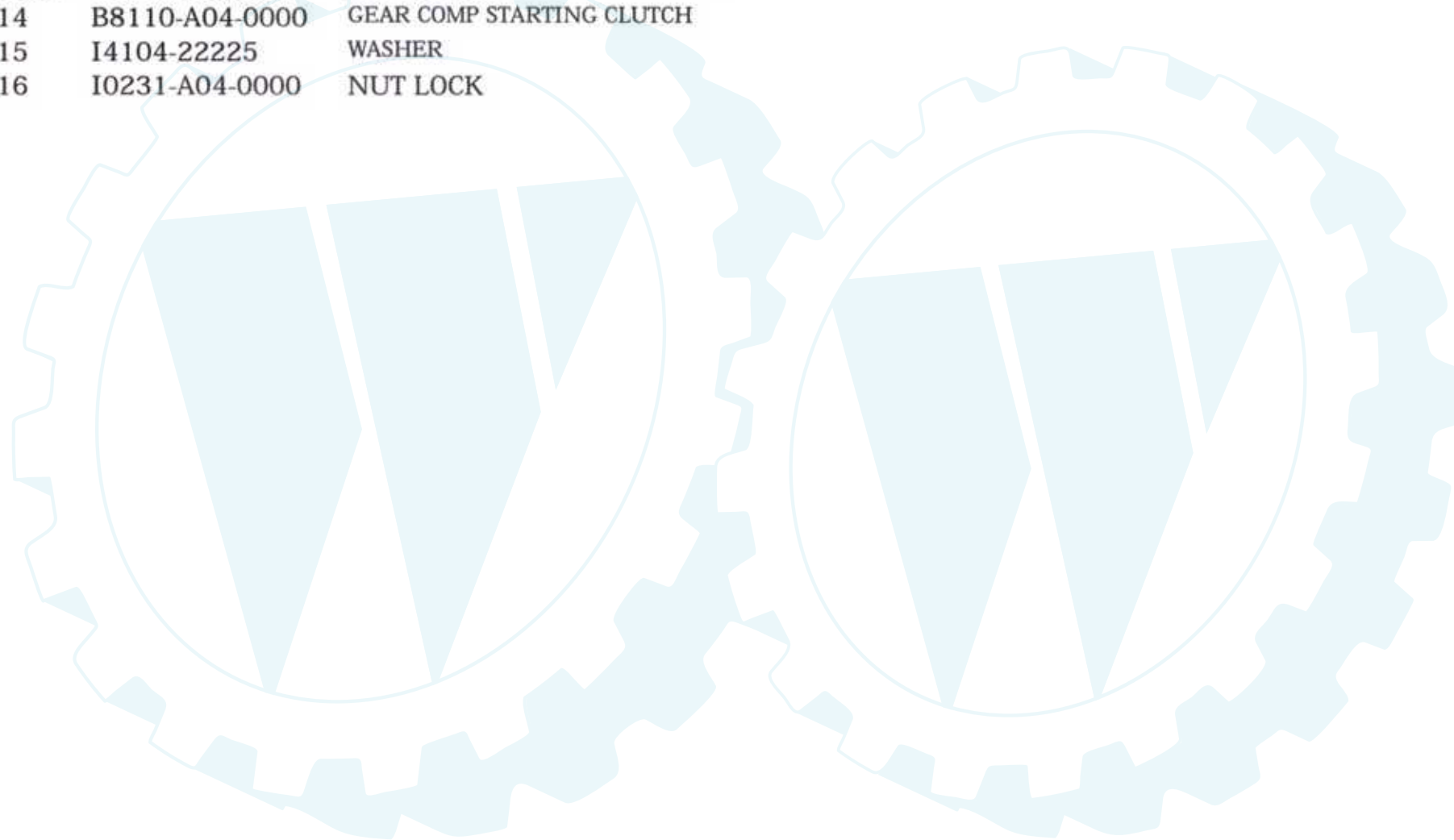
3.1

3-1	A5100-A07-0000	PUMP ASSY. OIL
*3-1-1	I3500-03010-1A	SCREW (3 10)
*3-1-2	A5116-A04-0000	PLATE OIL PUMP
*3-1-3	A5331-A07-0000	ROTOR OIL PUMP INNER
*3-1-4	A5332-A07-0000	ROTOR OIL PUMP OUTER
*3-1-5	I4303-04065	KNOCK PIN
*3-1-6	A5101-A07-0000	BODY OIL PUMP
*3-1-7	A5132-A04-0000	SHAFT OIL PUMP
3-2	I3600-06030-0H	SCREW FLAT
3-3	A5133-A04-0000	SPROCET OIL PUMP DRIVEN
3-4	I4050-0600G	NUT FLANGE 6 mm
3-5	A5141-A04-0000	CHAIN OIL PUMP
3-6	A5711-A04-0000	SEPARATOR OIL
3-7	I6001-06012-0H	BOLT FLANGE
3-8	C1200-V30-0000	MOTOR START COMP
*3-8-1	I1309-24031	O-RING (24.4 3.1)
*3-8-2	I3892-04006-08	SCREW WASH (4 6)
3-8-3	C1221-A04-0000	CARBON BRUSH
3-9	I6001-06016-0C	BOLT FLANGE
3-10	B8102-A04-0000	SHAFT STARTER REDUCTION GEAR
3-11	B8101-A04-0000	GEAR STARTER REDUCTION
3-12	I4401-25046	WOODRUFF KEY
3-13	B812A-A04-0000	OUTER ASSY .STARTING CLUTCH
*3-13-1	B8125-A04-0000	SPRING ROLLER ST CLUTCH
*3-13-2	B8124-A04-0000	CAP STARTING CLUTCH ROLLER SPRING
*3-13-3	I6220-A0100	ROLLER
*3-13-4	B8127-A04-0000	SPRING STARTING CLUTCH ROLLER
*3-13-5	B8120-A04-0000	BODY COMP CLUTCH OUTER

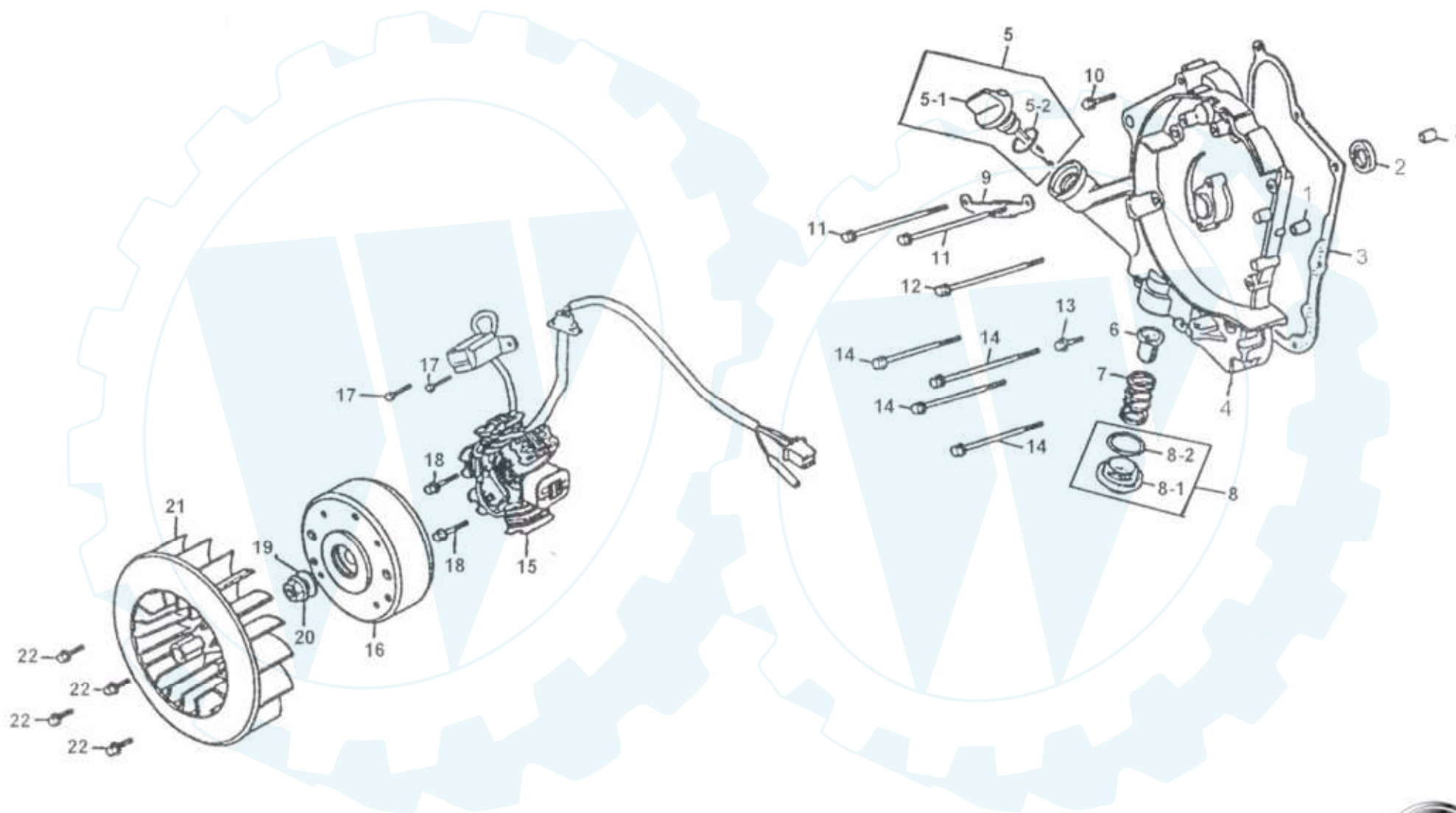


# Ölpumpe, Starter

- \*-3-13-6 I0001-06012 BOLT, SOCKET PAN 6 12
- \*-3-13-7 I4303-05060 KNOCK PIN
- \*-3-13-8 I1110-2832168 BEARING, NEEDLE
- 3-14 B8110-A04-0000 GEAR COMP STARTING CLUTCH
- 3-15 I4104-22225 WASHER
- 3-16 I0231-A04-0000 NUT LOCK



# Rechte Kurbelgehäuseabdeckung, Lichtmaschine



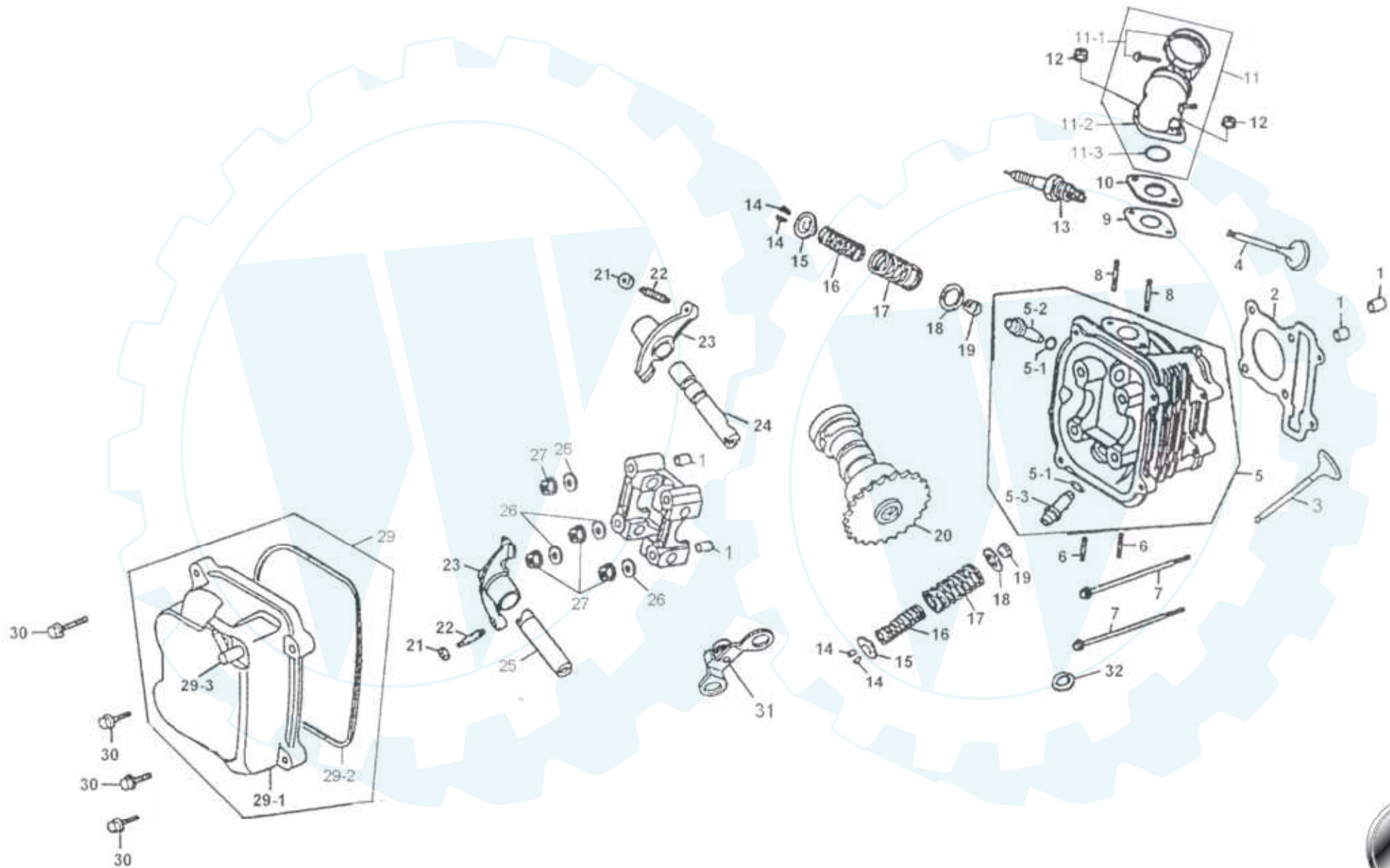
# Rechte Kurbelgehäuseabdeckung, Lichtmaschine

4.1

4-1	I4301-08140	KNOCK PIN
4-2	I1201-A04-9000	OIL SEAL (19.8 30 5)
4-3	A1394-A04-0000	GASKET R CRANK CASE COVER
4-4	A1331-V30-0900	COVER R SIDE
4-5	A5650-A04-0000	GAUGE ASSY. OIL LEVEL
*4-5-1	A5651-A04-0000	GAUGE OIL LEVEL
*4-5-2	I1307-A04-0000	O-RING (18 3.5)
4-6	A5421-A00-0000	SCREEN,OIL FILTER
4-7	A5426-A04-0000	SPRING OIL FILTER SCREEN
4-8	A2360-A04-0001	HOLE CAP TAPPET ASSY.
*4-8-1	A2361-A04-0000	CAP TAPPET ADJUSTING HOLE
*4-8-2	I4608-30832	O-RING
4-9	C2961-A04-0000	CLAMPER A.C.G GENERATOR
4-10	I6001-06040-0C	BOLT FLANGE
4-11	I6001-06110-0C	BOLT FLANGE
4-12	I6001-06100-0H	BOLT FLANGE
4-13	I6001-06032-0H	BOLT FLANGE
4-14	I6001-06095-0C	BOLT FLANGE
4-15	C1120-V30-0000	STATOR COMP(CDI)
4-16	C1110-A04-0000	FLYWHEEL COMP
4-17	I3412-05014-0H	BOLT WASHER
4-18	I6001-06020-0H	BOLT FLANGE
4-19	I4104-12522	WASHER
4-20	I4050-12110-0H	NUT FLANGE 12mm
4-21	A9510-A04-0000	FAN COMP COOLING
4-22	I6001-06018-0H	BOLT FLANGE (6 18)



# Ventildeckel, Zylinderkopf, Nockenwelle, Ventile



## Ventildeckel, Zylinderkopf, Nockenwelle, Ventile

5.1

5-1	I4301-10140	DOWEL PIN
5-2	A2251-A08-0000	GASKET CYLINDER HEAD
5-3	A4721-A08-0000	VALVE EXHAUST
5-4	A4711-A08-0000	VALVE INLET
5-5	A2200-A08-9000	HEAD COMP CYLINDER
*5-5-1	I4608-09016	O-RING
*5-5-2	A2237-A04-0000	GUIDE IN VALVE
*5-5-3	A2245-A04-0000	GUIDE EX VALVE
5-6	I2900-06016-0A	BOLT STUD
5-7	I6001-06100-0H	BOLT FLANGE (6 100)
5-8	I2900-06050-0A	BOLT STUD (6 50)
5-9	A6201-A04-0000	GASKET CARB INSULATOR
5-10	A6211-A04-0000	INSULATOR CARB
5-11	A711A-V30-0000	PIPE ASSY. INLET
*5-11-1	A7256-V30-0000	BAND CONNECTING TUBE
*5-11-2	A7110-A07-0000	PIPE COMP INLET
*5-11-3	I4608-27020	O-RING
5-12	I4050-0600G	NUT FLANGE 6mm
5-13	I8000-V30-0000	SPARK PLUG
5-14	A4781-A04-0000	COTTER VALVE
5-15	A4771-A04-0000	RETAINER VALVE SPG
5-16	A4761-A07-0000	SPG VALVE INNER
5-17	A4751-A07-0000	SPG VALVE OUTER
5-18	I4104-16508	SEAT VALVE SPG OUTER
5-19	A2209-A04-0000	SEAL VALVE STEM
5-20	A4100-A07-0001	SHAFT COMP CAM



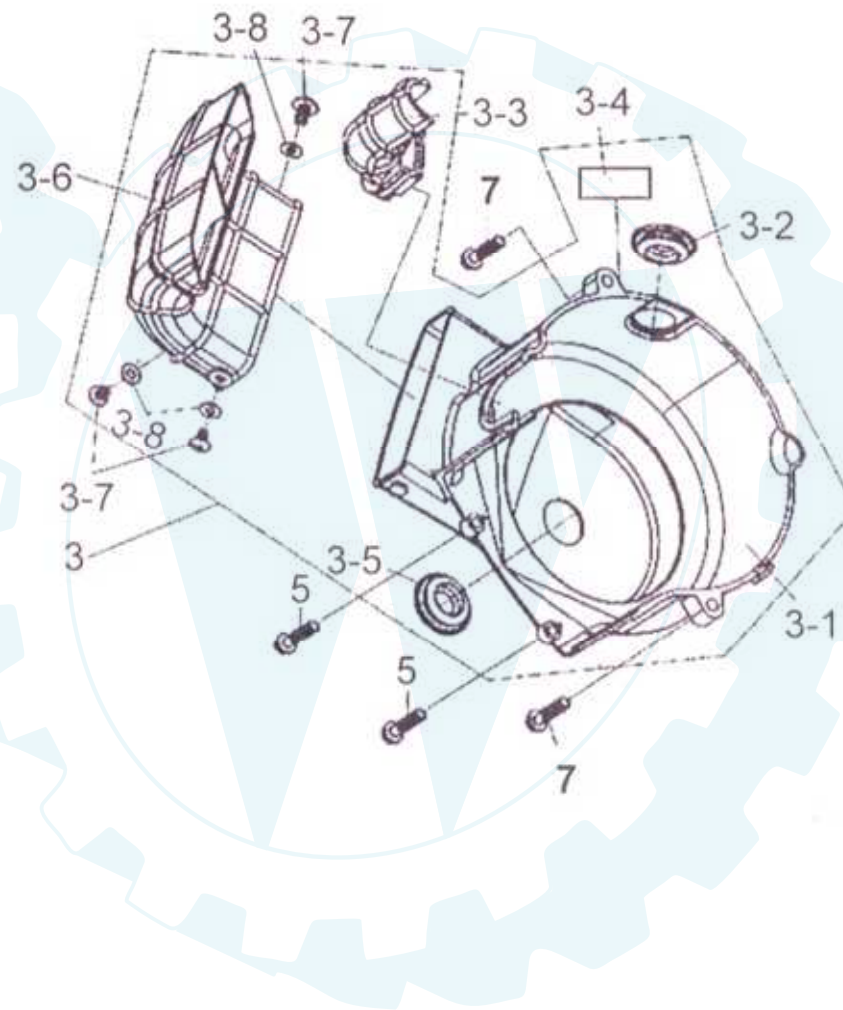
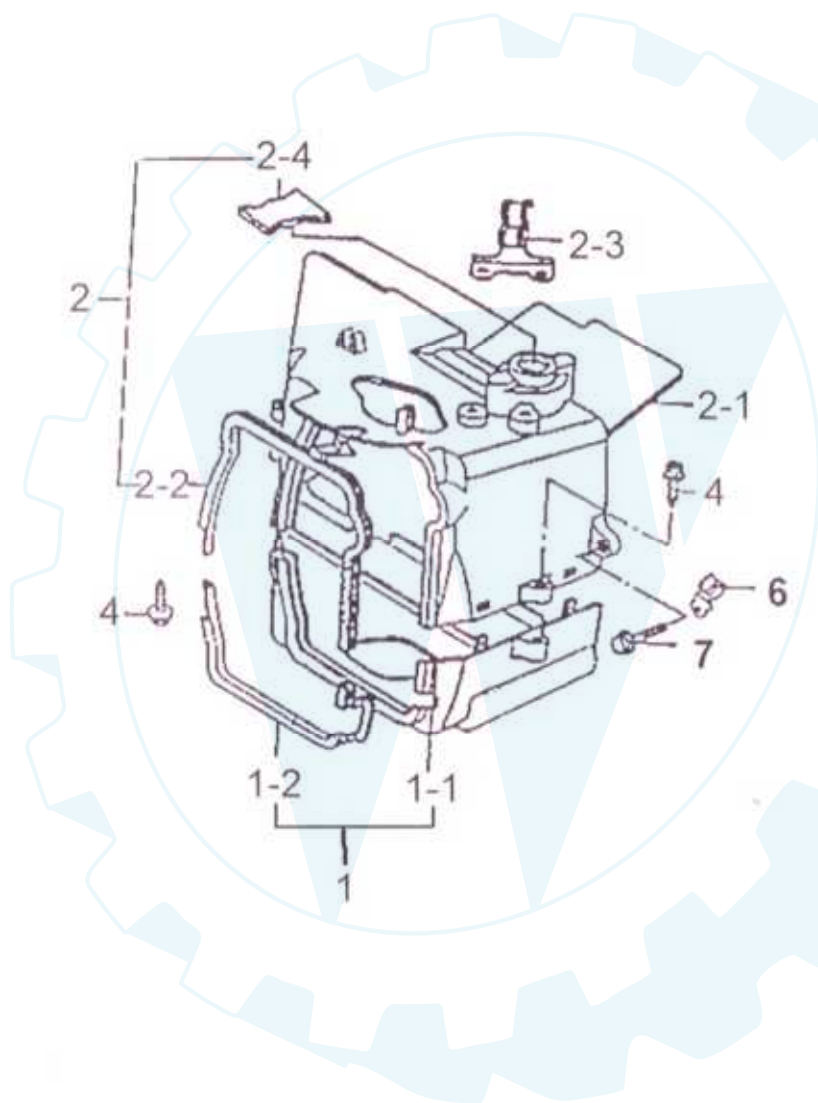
## Ventildeckel, Zylinderkopf, Nockenwelle, Ventile

5.2

5-21	I0206-A04-0000	NUT TAPPET ADJUSTING
5-22	I0012-A04-0000	SCREW TAPPET ADJUSTING
5-23	A4431-A07-0001	ARM VALVE ROCKER
5-24	A4450-A04-0000	SHAFT COMP IN ROCKET ARM
5-25	A4452-A04-0000	SHAFT EX ROCKET ARM
5-26	I4101-08523	WASHER
5-27	I4050-08075-0H	NUT FLANGE 8mm(C)
5-28	A2211-A04-0000	HOLDER CAM SHAFT
5-29	A230A-A04-0000	COVER ASSY HEAD CYLINDER
*5-29-1	A2301-A04-0000	COVER HEAD CYLINDER
*5-29-2	A2391-A04-0000	GASKET HEAD COVER
*5-29-3	A2305-A04-0000	JOINT COMP BREATHER
5-30	I6001-06025-0C	BOLT FLANGE
5-31	A4150-A04-0000	PLATE COMP STOPPER
5-32	A8291-A04-0000	GASKET EXHAUST PIPE



# Lüfterabdeckung, Zylinderabdeckung



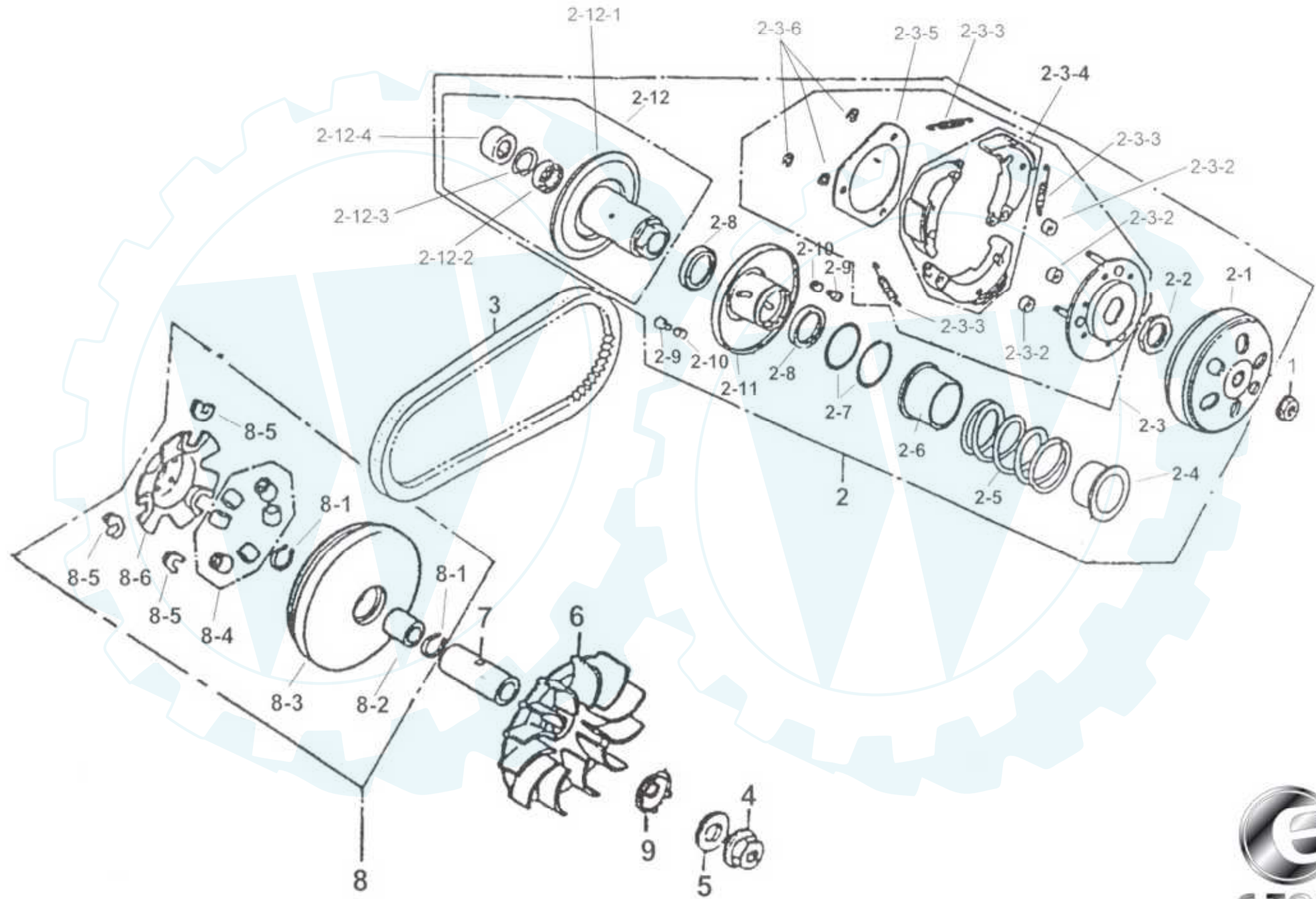


# Lüfterabdeckung, Zylinderabdeckung

6.1

6-1	A9620-A07-0001	SHROUD COMP A
*6-1-1	A9621-A07-0000	SHROUD A
*6-1-2	A9625-A04-0000	SEAL SHROUD A
6-2	A963A-V30-0001	SHROUD B ASSY
*6-2-1	A9630-A07-0000	SHROUD COMP B
*6-2-2	A9635-A04-0000	SEAL SHROUD B
*6-2-3	A1384-V30-0000	CLAMPER BREATHER TUBE
*6-2-4	A9633-A04-0000	GROMMET SHROUD(B)
6-3	A961A-V30-0000	COVER ASSY. FAN
*6-3-1	A9610-V30-0000	COVER COMP FAN
6-3-2	G0529-A04-0000	GROMMET B SIDE PANEL
*6-3-3	A9615-A04-0000	DUCT CARBURETOR COOLING
6-3-4	H7541-V30-0000	LABEL OIL CAP
*6-3-5	G0529-V30-0000	GROMMET SHROUD
*6-3-6	A9616-V30-0000	DUCT INLET
*6-3-7	I3902-304B0	SELF-TAPPING SCREW
*6-3-8	I4101-04508	WASHER
6-4	I3904-316B0	BOLT,FLANGE TAP
6-5	I3500-05025-0G	SCREW PAN
6-6	A1385-V30-0000	CLAMPER CARB DRAIN TUBE
6-7	I6001-06025-0C	BOLT FLANGE

# Kupplung, Variomatik



## Kupplung, Variomatik

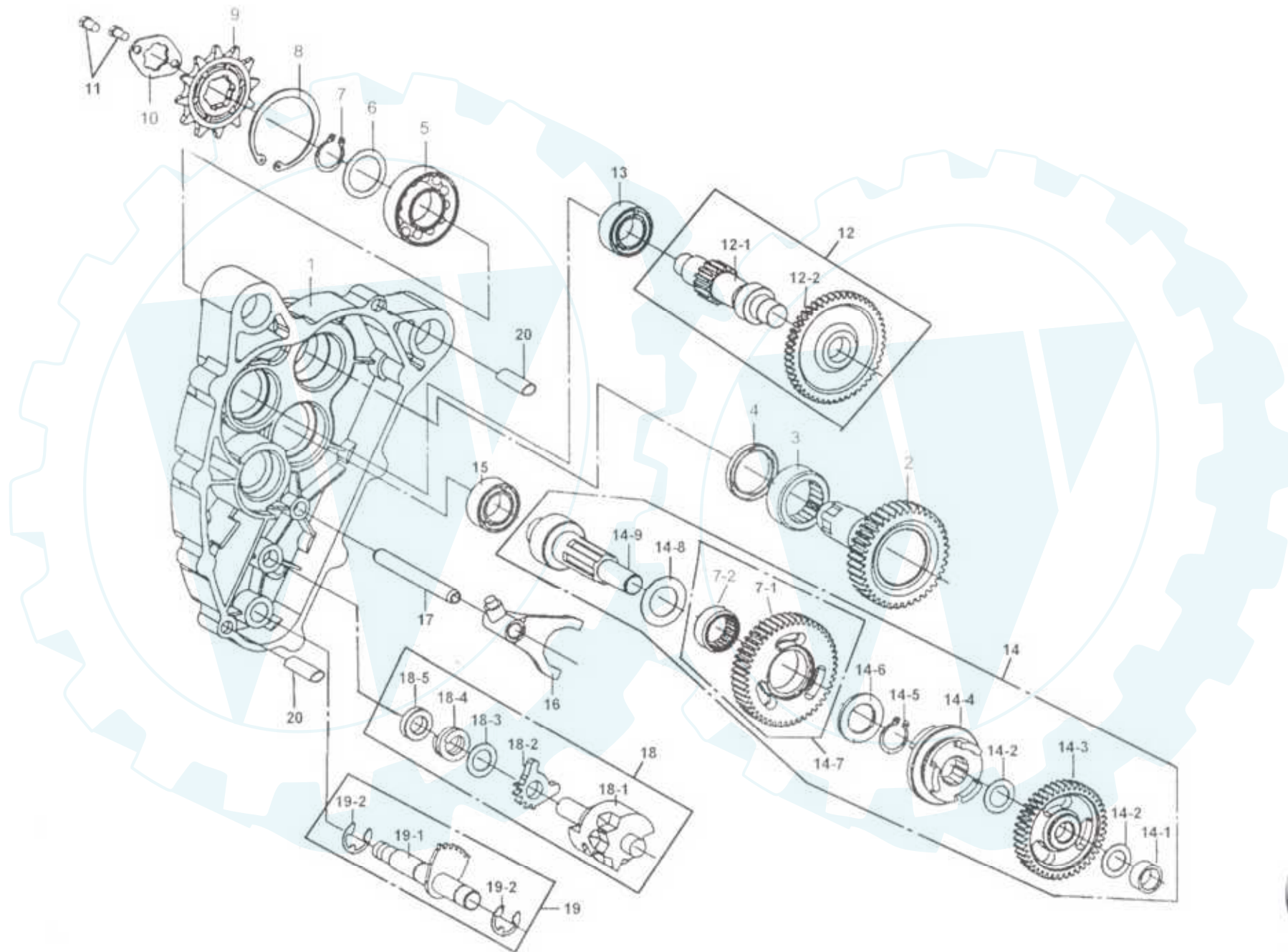
7.1

7-1	I4050-12110-0H	NUT FLANGE
7-2	B301A-V30-0000	PULLEY ASSY. DRIVEN
*7-2-1	B2101-A04-0000	OUTER CLUTCH
*7-2-2	I0202-A04-0000	NUT SPECIAL 28 mm
*7-2-3	B2300-V30-0000	PLATE ASSY. DRIVEN
*7-2-3-1	B2350-A04-0000	PLATE COMP DRIVE
*7-2-3-2	B2804-A04-0000	ROLLER CLUTCH
*7-2-3-3	B2401-A04-0000	SRPING CLUTCH
*7-2-3-4	B2530-V30-0000	WEIGHT SET CLUTCH
*7-2-3-5	B2361-A04-0000	PLATE CLUTCH SIDE
*7-2-3-6	I0605-A04-0000	CIR CLIP 7 mm
*7-2-4	B3238-A04-0000	COLLAR SPRING
*7-2-5	B3233-A08-0000	SPRING DRIVER FACE
*7-2-6	B3237-A04-0000	COLLAR SEAL
*7-2-7	I1351-A04-0000	O-RING
*7-2-8	I1211-A04-0000	SEAL DRIVEN FACE (34 41
*7-2-9	B3225-A04-0000	PIN GUIDE
*7-2-10	B3226-A04-0000	ROLLER
*7-2-11	B3220-A04-0000	FACE COMP MOVABLE DRIVEN
*7-2-12	B3200-A04-0000	FACE ASSY. DRIVEN
*7-2-12-1	B3210-A04-0000	FACE COMP DRIVEN
*7-2-12-2	I1002-A04-69020	BEARING BALL REDIAL 6902U
*7-2-12-3	I4520-28000	CIRCLIP EX
*7-2-12-4	I1001-A04-0000	BEARING NEEDLE 20 29 18

## Kupplung, Variomatik

7.2

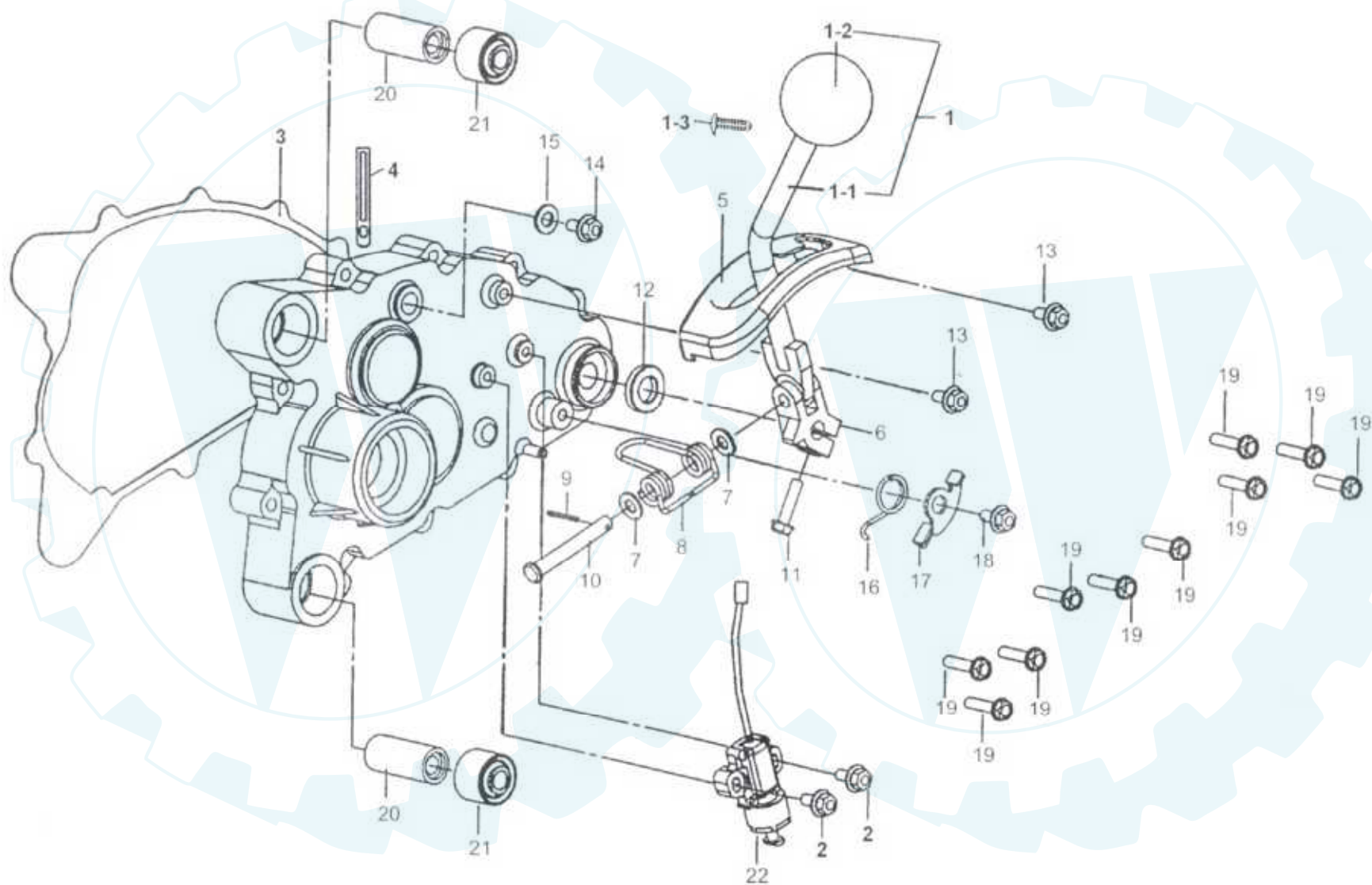
7-3	B3100-A07-0000	BELT DRIVE
7-4	I0309-120H0	NUT, CHECK
7-5	I4121-12J00	WASHER WAVE
7-6	B2102-A14-0000	FACE DRIVE
7-7	B2105-A04-0000	BOSS DRIVE FACE
7-8	B2110-A08-0000	FACE ASSY. MOVABLE DRIVE
7-8-1	I0601-A04-0000	CLIP 28 mm
7-8-2	B2112-A04-0000	BOSS FACE MOVABLE DRIVE
7-8-3	B2111-A04-0000	FACE COMP MOVABLE DRIVE
7-8-4	B2121-A08-0000	ROLLER SET WEIGHT
7-8-5	B2132-A04-0000	PIECE SLIDE
7-8-6	B2131-A04-0000	PLATE RAMP
7-9	B8211-A14-0002	RACHET KICK STARTER



8-1	B1300-V30-0900	COVER MISSION
8-2	B3430-V30-9000	SHAFT FINAL COMP
8-3	I1130-304217	BEARING NEEDLE
8-4	I1201-V30-0000	OIL SEAL (30 40 5)
8-5	I6150-6205LLU-10	BRG BALL RADIAL
8-6	I4104-25210	WASHER
8-7	I4510-25000	CIRCLIP
8-8	I4520-52000	CIRCLIP
8-9	B3801-V30-8000	SPROCKET DRIVE
8-10	B3811-V30-0000	PLATE FIXING
8-11	I2201-06010-0C	BOLT FLANGE
8-12	B3420-V30-0000	COUNTER SHAFT COMP
*8-12-1	B3421-V30-0000	SHAFT COUNTER (15T)
*8-12-2	B3422-V30-0000	GEAR COUNTER (49T)
8-13	I6100-63020	BEARING, BALL, RADIAL
8-14	B3250-V30-0000	SHAFT GEAR SHIFT COMP
*8-14-1	B3213-V30-0000	COLLAR SHAFT
*8-14-2	I4104-15110	WASHER
*8-14-3	B3440-V30-0000	SPUR GEAR ASSY (43T)
*8-14-4	B3481-V30-0000	RATCHET SHIFT
*8-14-5	I4510-22000	CIRCLIP EX
*8-14-6	I0454-22030	WASHER B SPINE
*8-14-7	B3460-V30-0000	GEAR COMP REVERSE
*8-14-7-1	B3461-V30-0000	GEAR REVERSE
*8-14-7-2	I1130-223013	BEARING, NEEDLE
*8-14-8	I4104-22010	WASHER
*8-14-9	B3251-V30-0000	SHAFT MAIN TRANSMISSION

8-15	I6100-62043	BEARING, BALL, RADIAL
8-16	B4231-V30-0000	FORK SHIFT
8-17	B4241-V30-0000	SHAFT GEAR SHIFT
8-18	B4300-V30-0000	DRUM COMP GEAR SHIFT
*8-18-1	B4301-V30-0000	DRUM GEAR SHIFT
*8-18-2	B4302-V30-0000	GEAR DRUM GEAR SHIFT
*8-18-3	I4104-13110	WASHER
*8-18-4	B4303-V30-0000	SPRING GEAR SHIFT RETURN
*8-18-5	B4304-V30-0000	COLLAR SHAFT
8-19	B461A-V30-0000	SPINDLE ASSY SHIFT
*8-19-1	B4610-V30-0000	SPINDLE COMP SHIFT
*8-19-2	I4540-1201A	CIRCLIP
8-20	I4301-10140	KNOCK PIN

# Gangwahlhebel





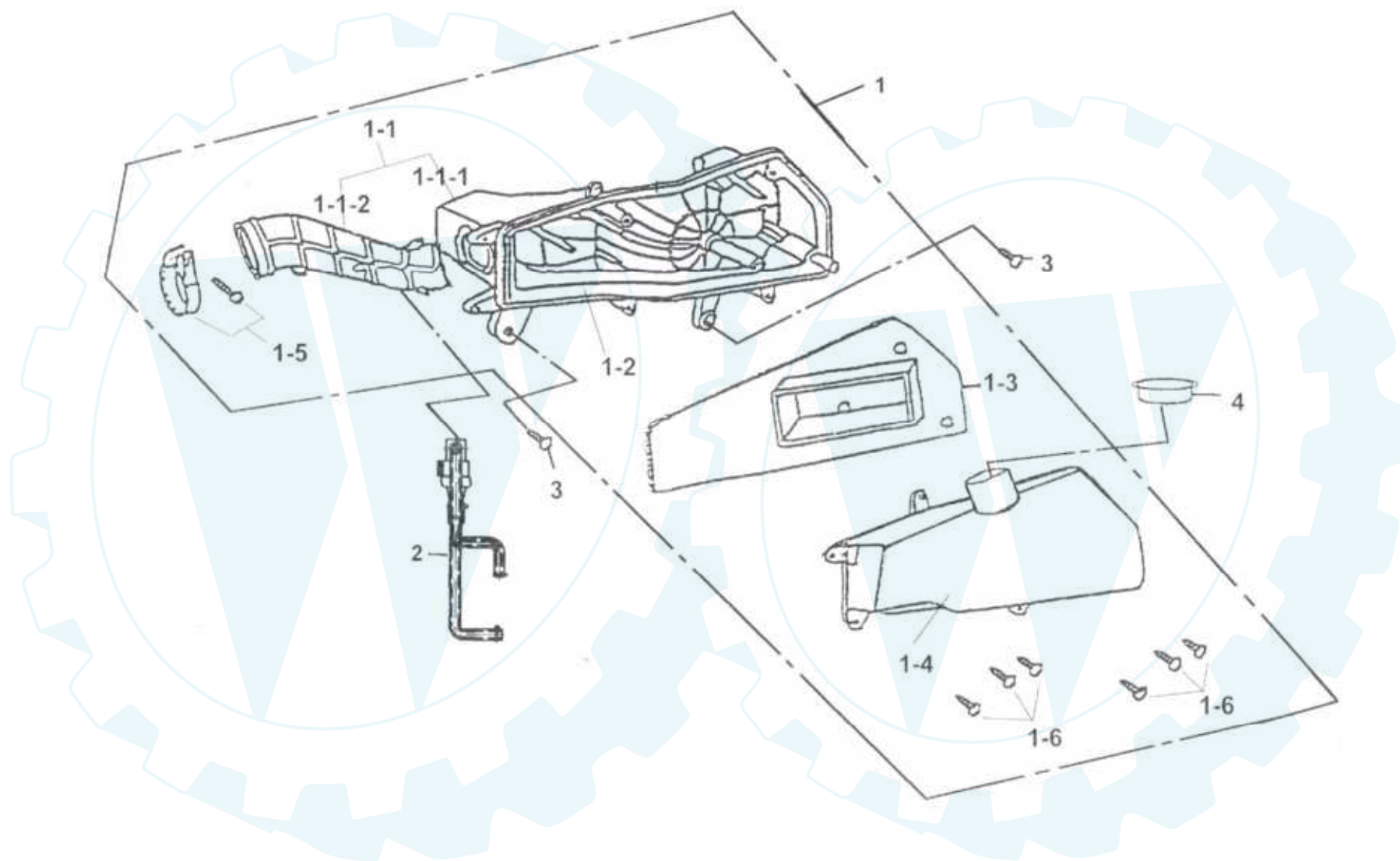
## Gangwahlhebel

9.1

9-1	B4640-V30-0001	SHAFT COMP ROD
*9-1-1	B4641-V30-0001	ROD SHIFT
*9-1-2	B4642-V30-0000	HANDLE PLASTICS
*9-1-3	I3900-V30-0000	RIVET PLASTICS
9-2	I3892-05016-0C	SCREW WASHER
9-3	B1395-V30-0000	GASKET MISSION COVER
9-4	C2963-A09-0000	CLAMPER PULSER CORD
9-5	B4622-V30-0000	FIXED SUPPORT CATCH
9-6	B4643-V30-0000	FIXED SUPPORT ROD COMP SHIFT
9-7	I4104-08515	WASHER
9-8	B4644-V30-0000	SPRING ROD SHIFT
9-9	I4201-46195	SPLIT PIN
9-10	B4645-V30-0000	PIN ROD SHIFT
9-11	I5701-06025-0C	BOLT FLANGE
9-12	I1206-A00-0000	OIL SEAL (14 28 7)
9-13	I5801-06012-0C	BOLT FLANGE
9-14	I2800-12015-0C	DRAIN PLUG BOLT
9-15	I4104-12120	WASHER
9-16	B4624-V30-0000	SPRING TRANSMISSION PLANK
9-17	B4623-V30-0000	PLATE TRANSMISSION
9-18	I5701-06010-0H	BOLT FLANGE
9-19	I5701-06040-0C	BOLT FLANGE
9-20	A8254-V30-0000	BOSS (B)
9-21	A1103-V30-0000	RUBBER BUSH ENGINE
9-22	C510A-V30-0000	SAFETY SWITCH ASSY.

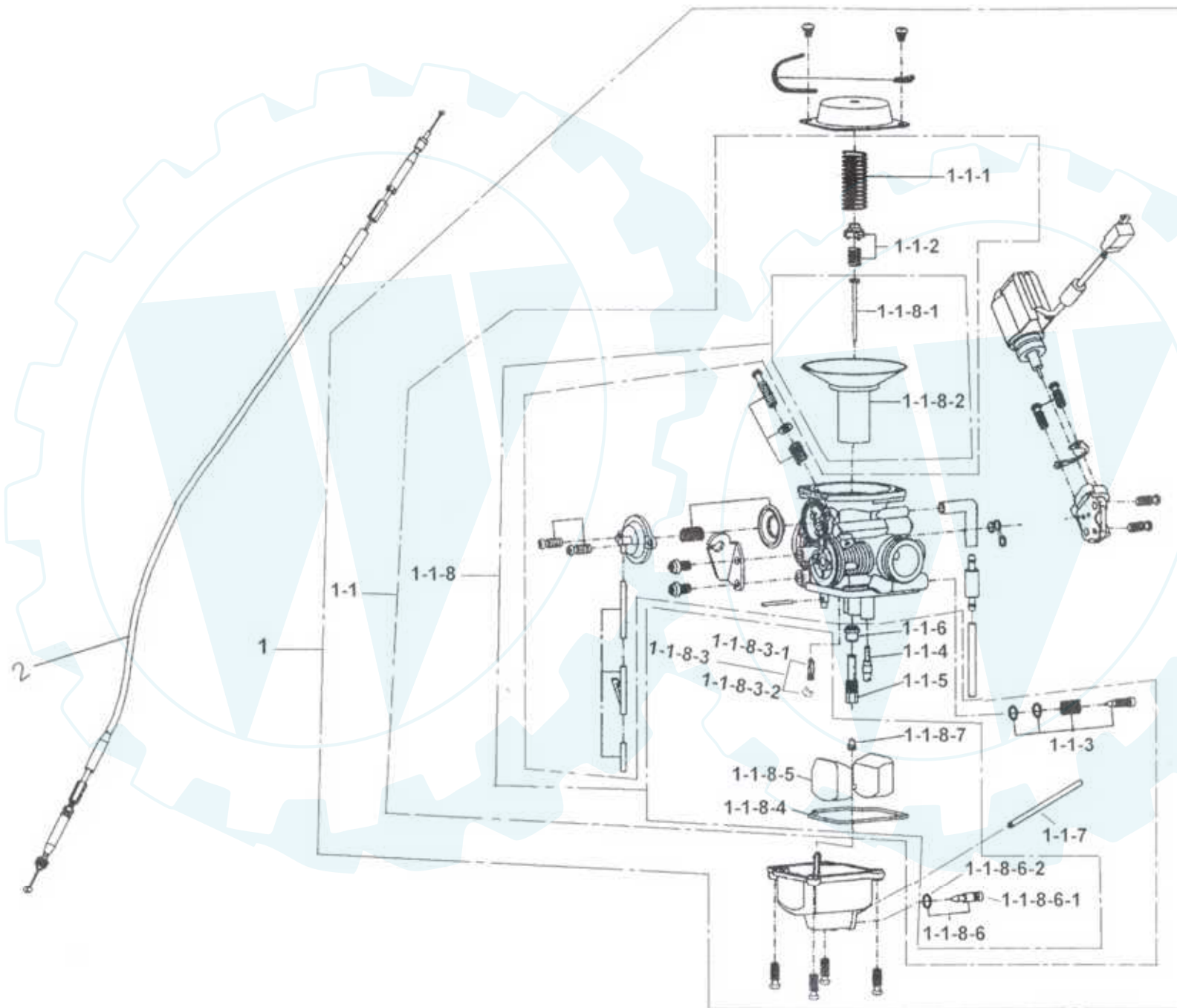


# Luftfilter

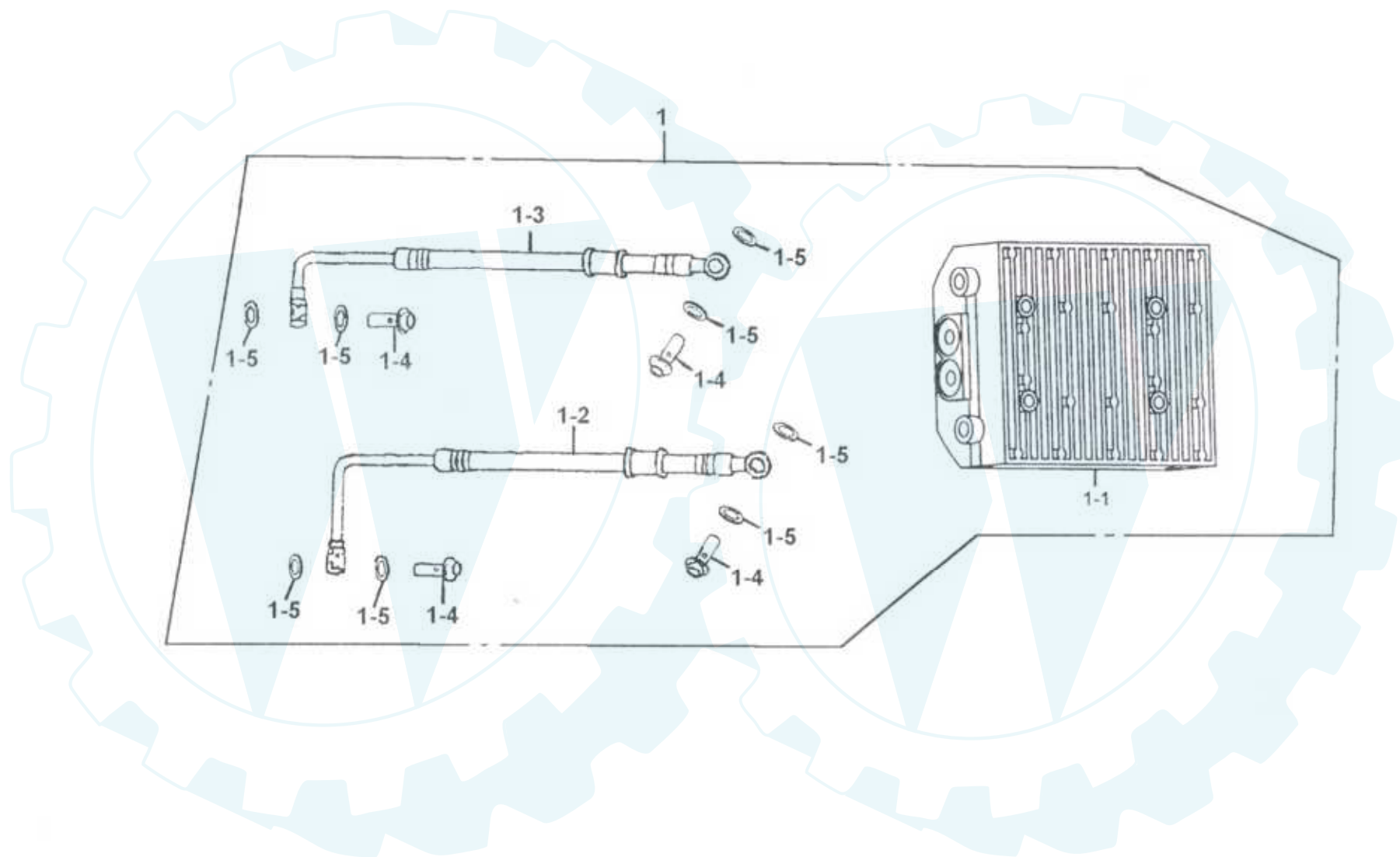


10-1	A720A-V30-0001	AIR CLEANER ASSY .
*10-1-1	A720B-V30-0000	CASE AIR CLEANER ASSY.
*10-1-1-1	A7230-V30-0000	CASE AIR CLEANER
*10-1-1-2	A7253-V30-0000	AIR CLEANER CONNECTING TUBE
*10-1-2	A7214-A11-0000	SEAL AIR CLEANER COVER
10-1-3	A7205-A12-0000	FILTER PAPER ASSY.
*10-1-4	A7231-V30-0001	COVER AIR CLEANER
*10-1-5	A7256-A04-0000	BAND AIR CLEANER CONNECTING TUBE
*10-1-6	I3903-25580	SELF-TAPPING SCREW (M5 20)
10-2	A736A-V30-9001	GAS WASTE RECOVERY
10-3	I5701-06025-0C	BOLT ,FLANGE(M6 25)





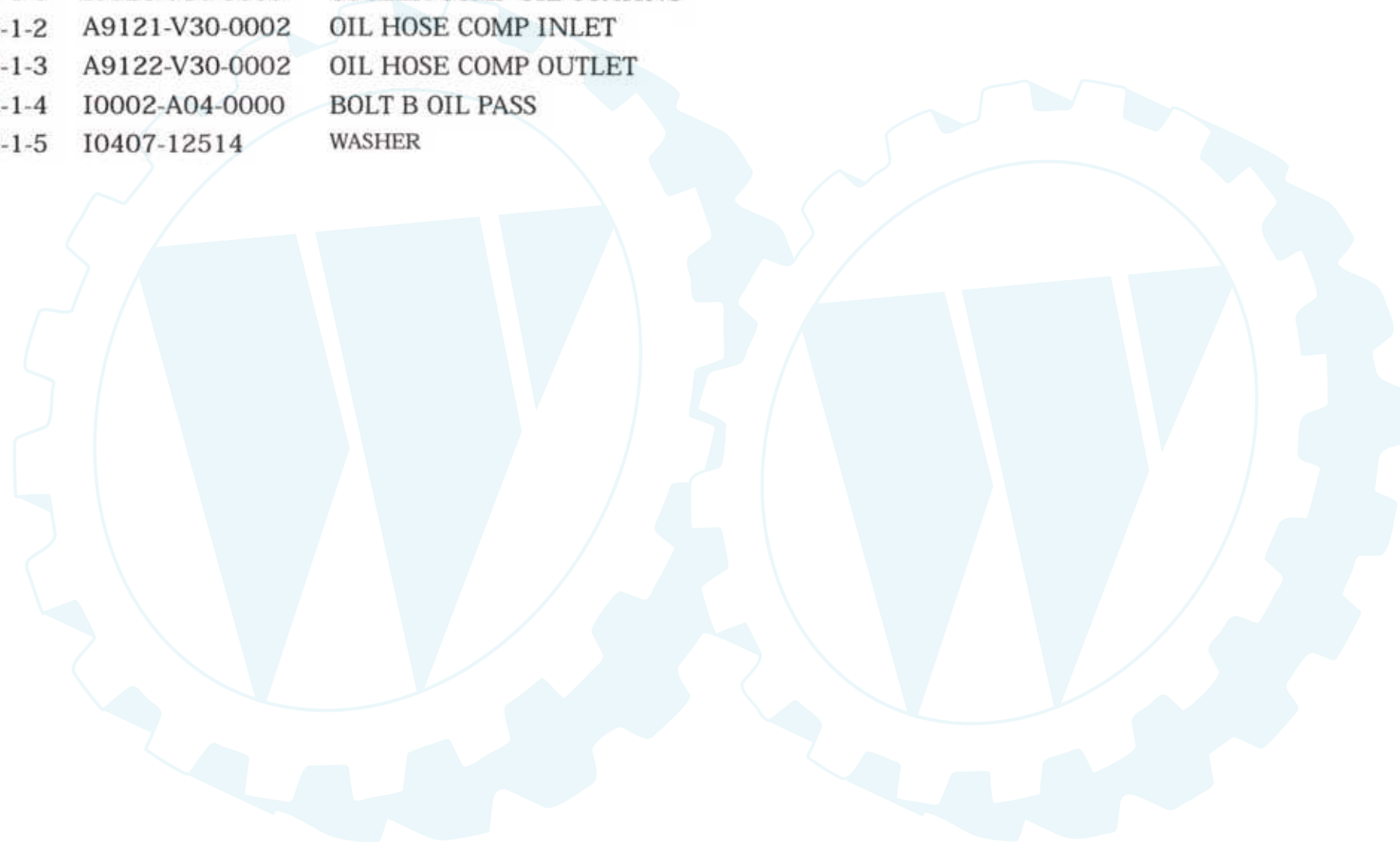
11-1	A610A-V30-0000	CARBURETOR ASSY.
11-1-1	A6100-V30-A001	MAINTENANCE KIT ASSY.
*11-1-1-1	KAB73710	THROTTLE VALVE SPRING
*11-1-1-2	KAB43610	CLIP
*11-1-1-3	KAB40G04	AIR ADJUSTING SCREW ASSY.
*11-1-1-4	KAB73010	SLOW JET (*35)
*11-1-1-5	KAB73110	NEEDLE JET HOLDER (*SG5A)
*11-1-1-6	KAB42910	NEEDLE JET
*11-1-1-7	KAB86310	PIPE (*425mm)
11-1-1-8	A6100-V30-A002	MAINTENANCE KIT
*11-1-1-8-1	KAB73320	JET NEEDLE (*SG5A)
*11-1-1-8-2	KAB43440	THROTTLE VALVE ASSY.
*11-1-1-8-3	KAB4CC20	NEEDLE VALVE ASSY.
*11-1-1-8-3-1	KAB42130	NEEDLE VALVE ASSY.
*11-1-1-8-3-2	KAB42210	FLOAT O-RING
*11-1-1-8-4	KAB45710	CHAMBER O-RING
*11-1-1-8-5	KAB42310	FLOAT ASSY.
*11-1-1-8-6	KAB61520	DRAIN SCREW ASSY.
*11-1-1-8-6-1	KAA13510	DRAIN SCREW
*11-1-1-8-6-2	KAA13610	DRAIN O-RING
*11-1-1-8-7	KAB83210	MAIN JET ( *104)
11-2	A7910-V30-0000	CABLE ASSY.

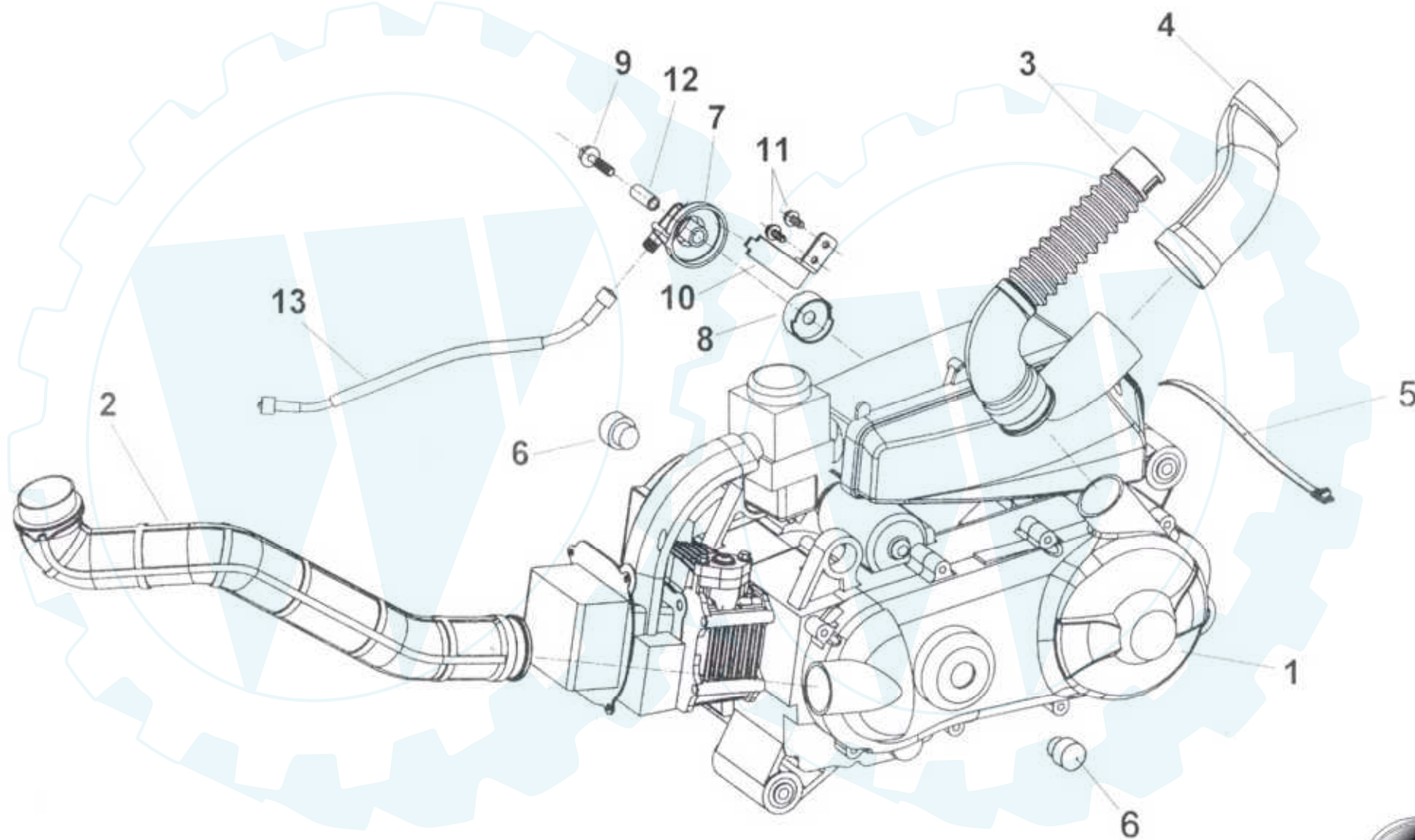


# Ölkühler

12.1

12-1	I902A-V30-9000	COOLER COMP OIL ASSY.
12-1-1	I9020-V30-9000	COOLER COMP OIL COATING
12-1-2	A9121-V30-0002	OIL HOSE COMP INLET
12-1-3	A9122-V30-0002	OIL HOSE COMP OUTLET
12-1-4	I0002-A04-0000	BOLT B OIL PASS
12-1-5	I0407-12514	WASHER







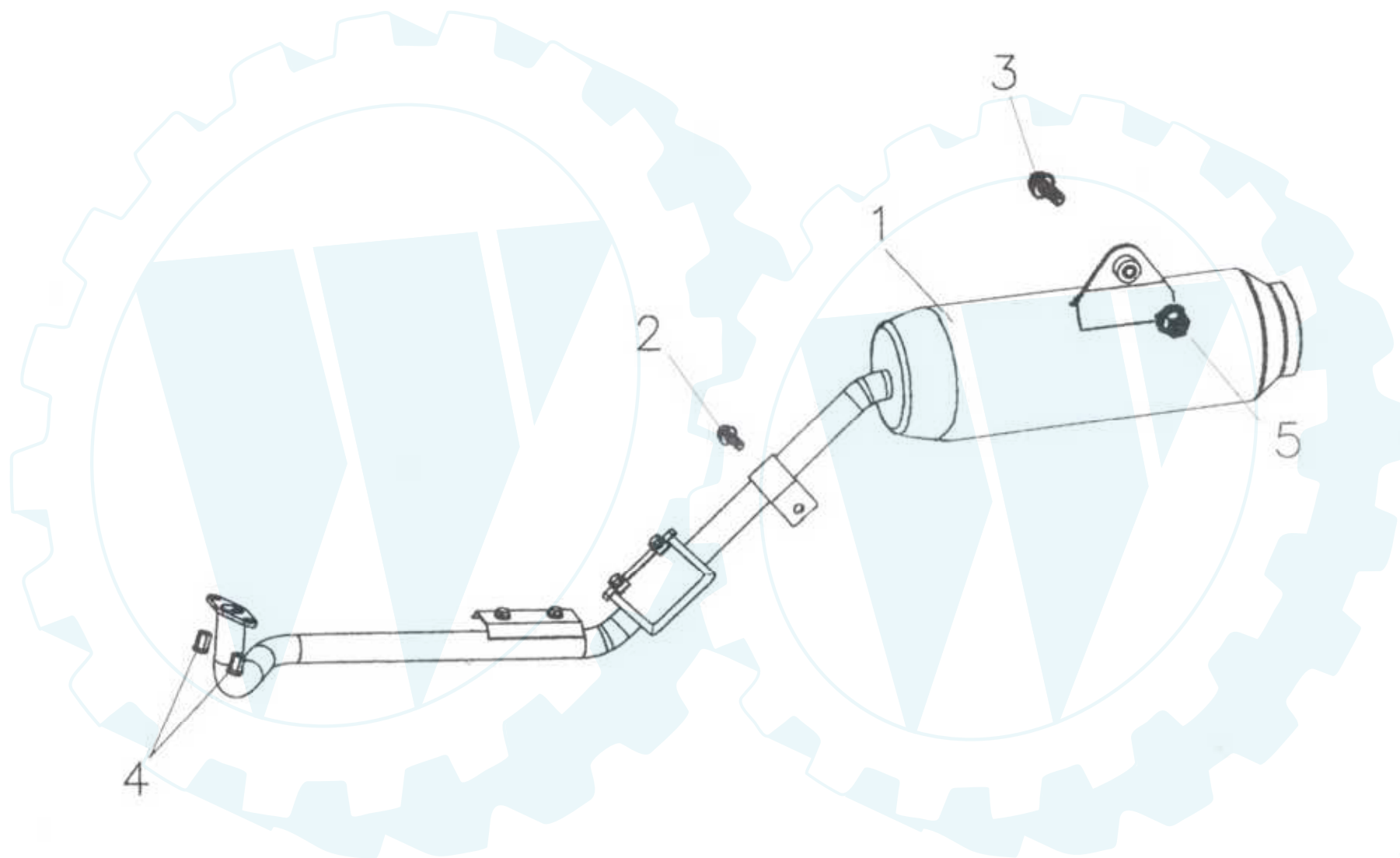
# Motor

13.1

13-1	AA000-V30-7300	ENGINE ATV
13-2	B0100-FIA0-0000	INLET TUBE , CVT
13-3	B0200-FIA0-0000	EXH TUBE , CVT
13-4	A7215-V30-0000	AIR/C CASE DUCT
13-5	H3936-5AA0-0000	WIRE CLAMP
13-6	A1105-FIA0-0000	ENGINE RUBBER PLUG
13-7	D4800-5AC0-0000	METER GEAR ASSY.(21:9)
13-8	D4801-FIC0-0000	ADAPTOR
13-9	I0149-08040L	BOLT,SOCKET(LEFT)
13-10	D4802-FIC0-0000	ADAPTOR STATOR BOARD
13-11	I0149-06016	BOLT, FLANGE HEAD
13-12	E0407-FIC0-0000	BUSHING
13-13	D4830-FIC0-0000	SPEEDOMETER CABLE

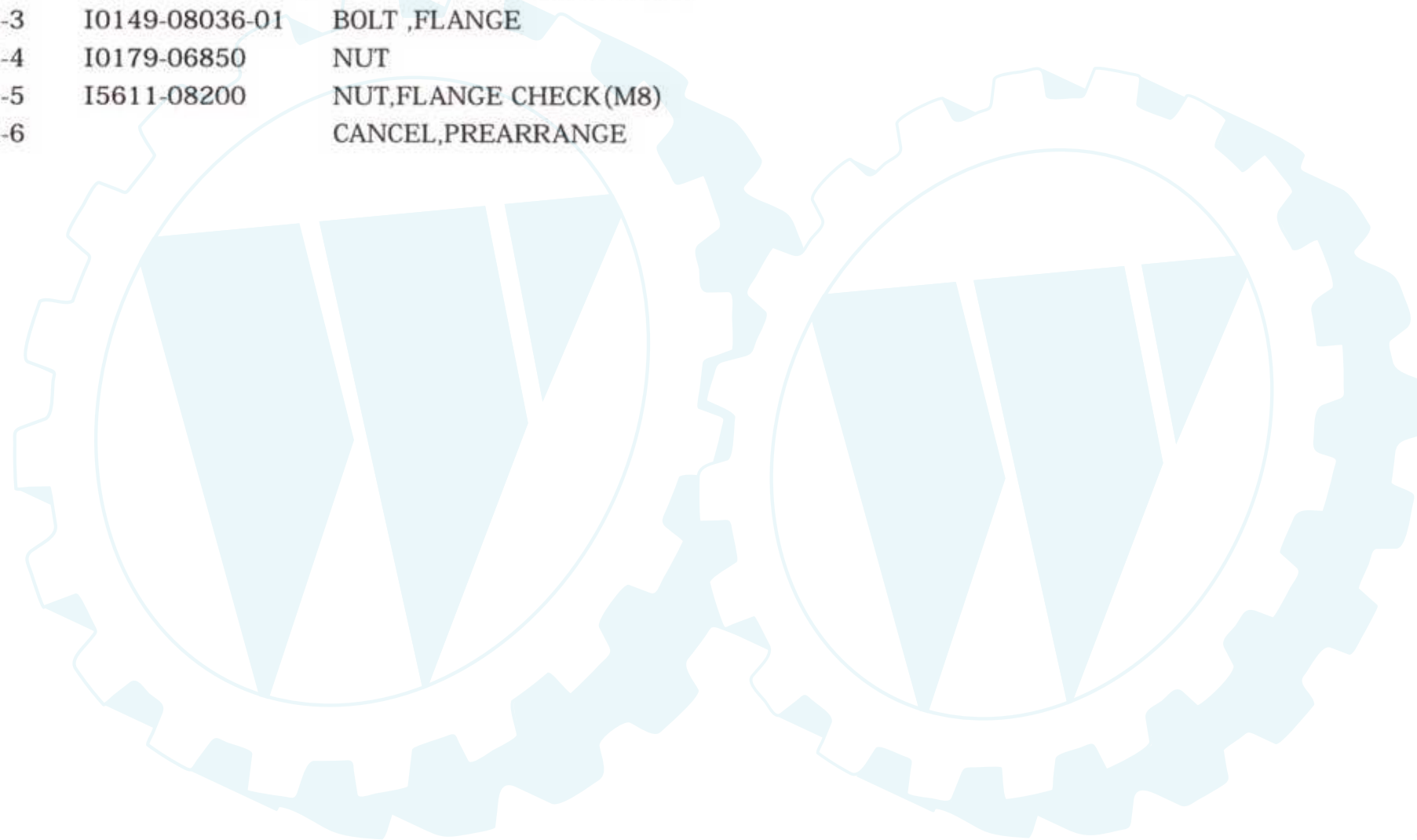


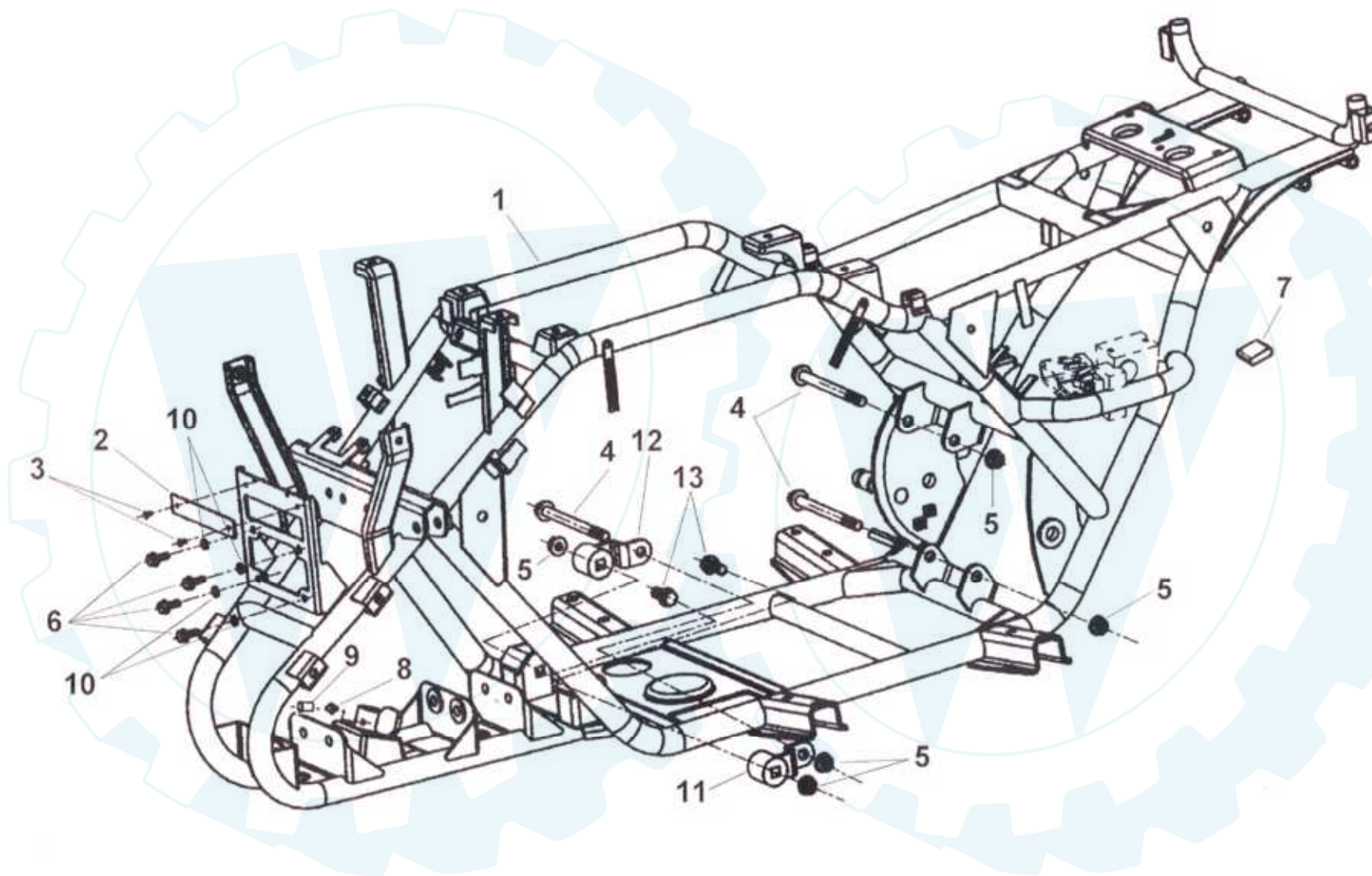
# Auspuff



# Auspuff

- 14-1 A830A-FIC0-0000 EXHAUST PIPE ASSY.
- 14-2 I7507-FIA0-0000 BOLT,HEXAGON HEAD WITH WASHER
- 14-3 I0149-08036-01 BOLT ,FLANGE
- 14-4 I0179-06850 NUT
- 14-5 I5611-08200 NUT,FLANGE CHECK (M8)
- 14-6 CANCEL,PREARRANGE



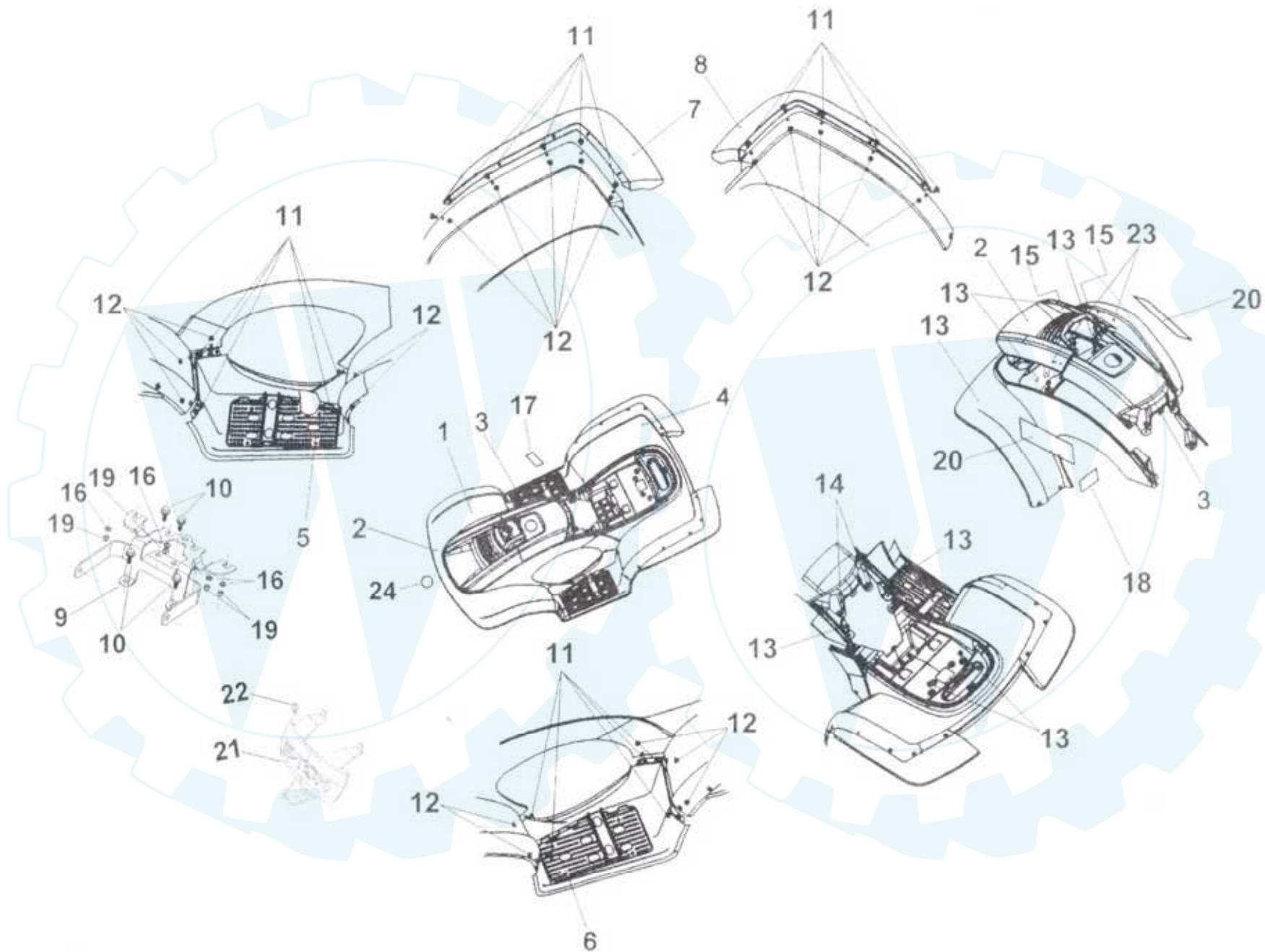


## Rahmen

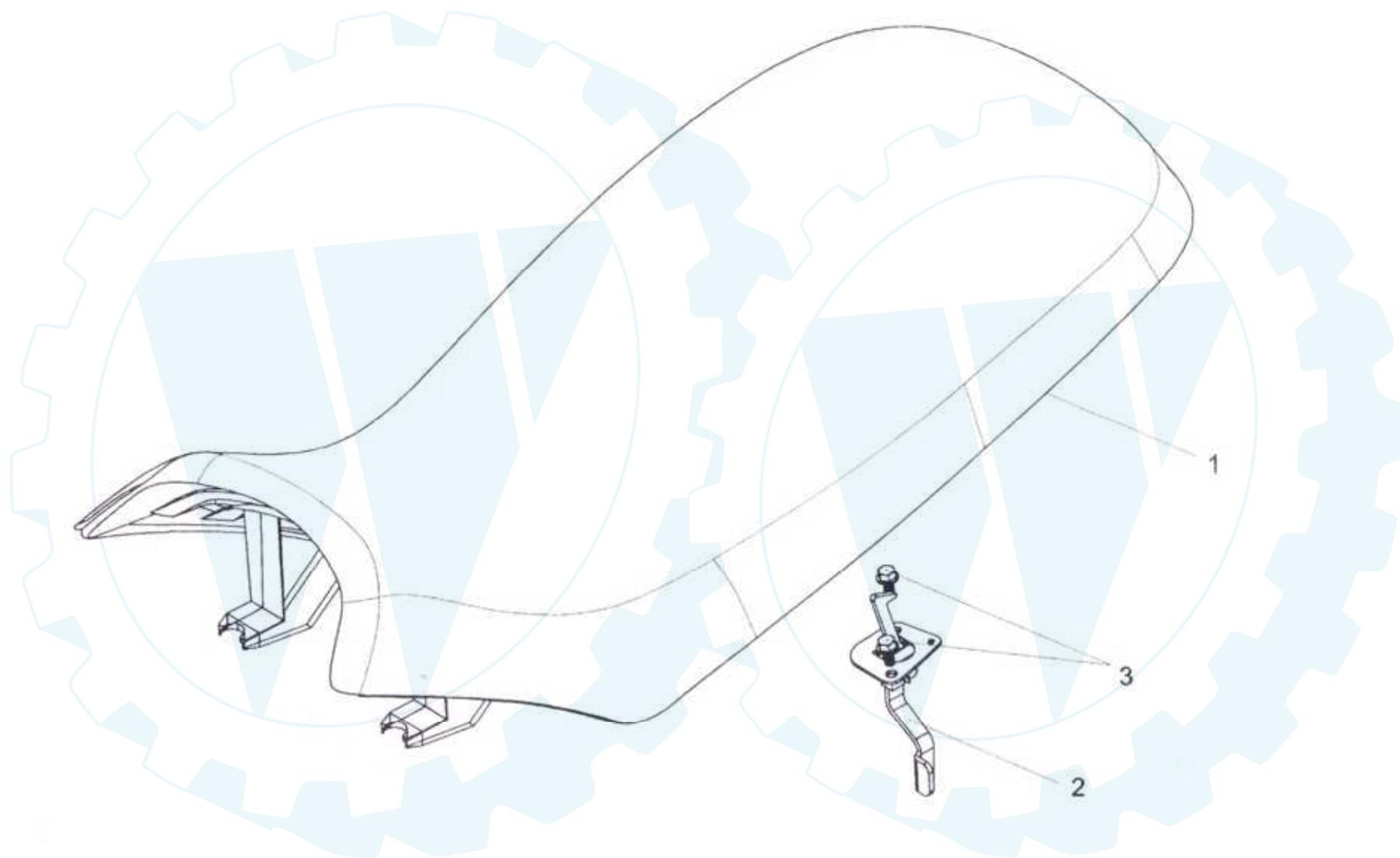
15.1

15-1	E0100-FICO-0000	FRAME COMP.
15-2	H7501-FICO-0000	EMBLEM
15-3	H750A-5BA1-0000	FIX NAIL
15-4	E0351-5EA0-0000	ENGINE SET BOLT(M10 115)
15-5	I5611-10200	NUT,FLANGE CHECK
15-6	I2501-06080-0B	BOLT,HEXAGON HEAD
15-7	G7223-5EB0-0000	RUBBER PAD
15-8	I6600-06000	GREASE VALVE(1/4")
15-9	E0209-5EA0-0000	CAP, GREASE VALVE
15-10	I2140-60001	WASHER
15-11	E0350-FIA0-0000	ENGINE SUSPENSION ASSY. ,LEFT
15-12	E0353-FIA0-0000	ENGINE SUSPENSION ASSY. ,RIGHT
15-13	E0352-FIA0-0000	SCREW,BUTTON HEAD CAP



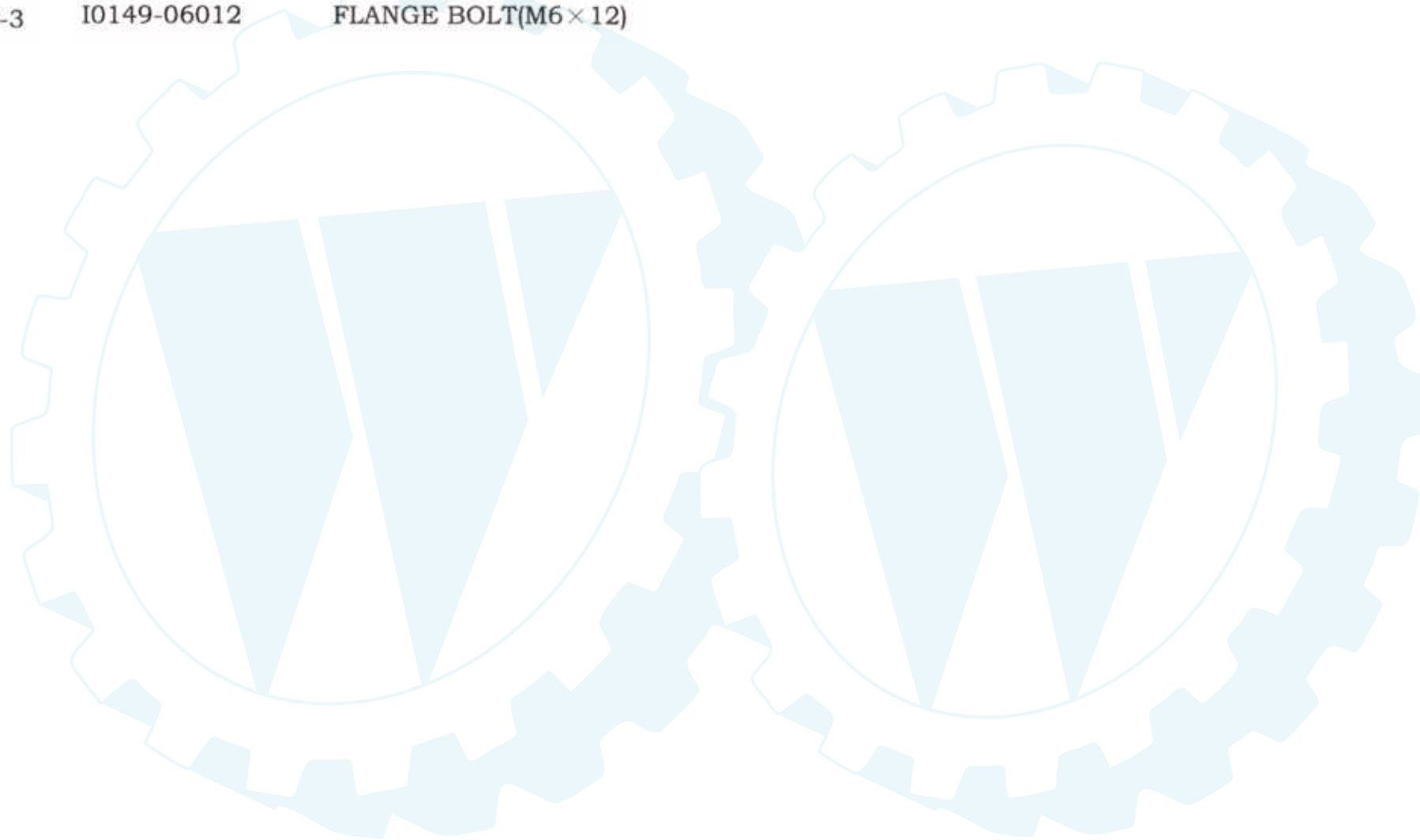


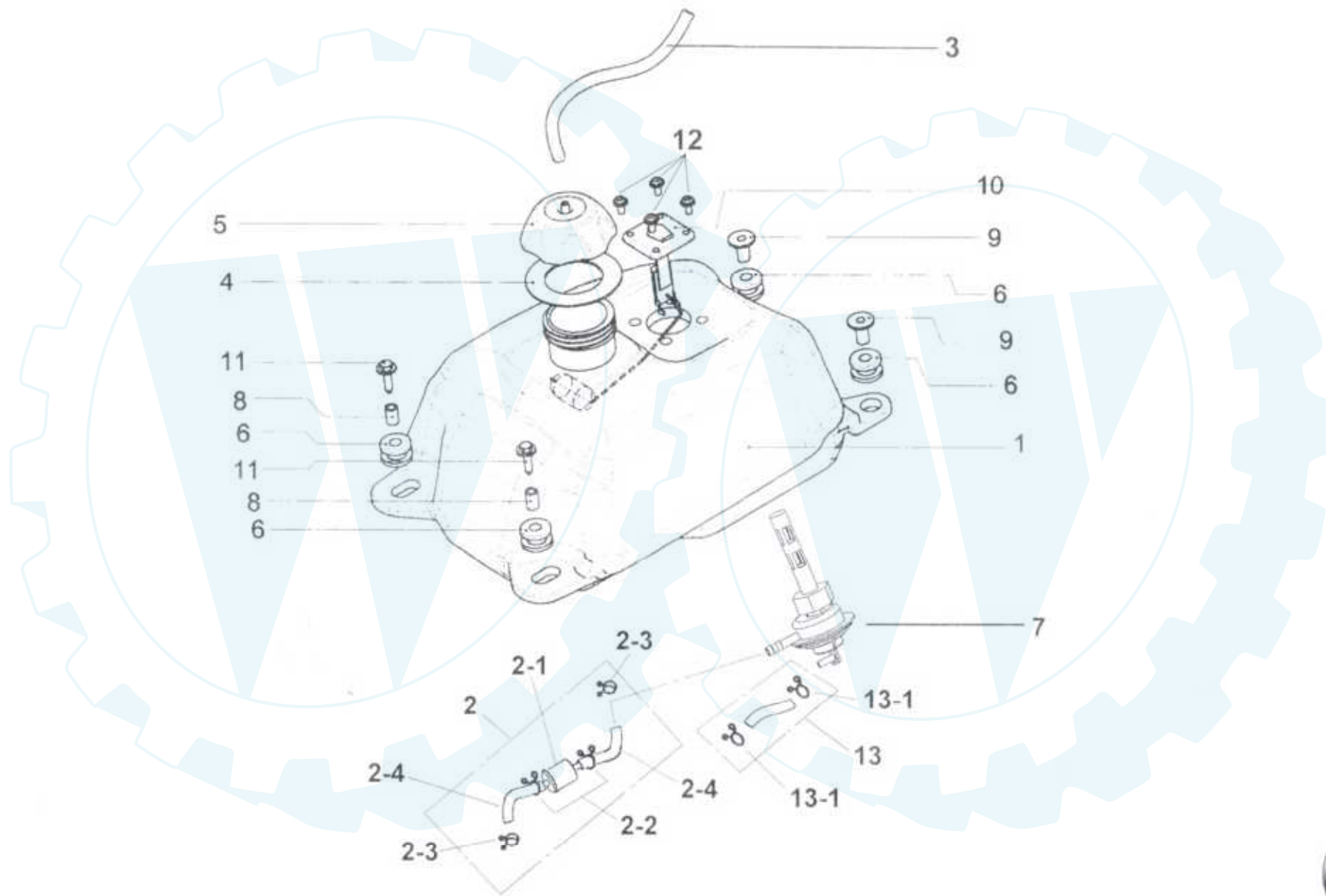
16-1	F4300-FIB0-4200	FRONT FENDER (RED)
	F4300-FIB0-5400	FRONT FENDER (BLUE)
	F4300-FIB0-0700	FRONT FENDER (SILVER)
	F4300-FIB0-2500	FRONT FENDER (GREEN)
16-2	F4301-FIA0-0800	FRONT CENTRAL COVER(BLACK)
16-3	F4302-FIA0-0800	REAR CENTRAL COVER (BLACK)
16-4	H3500-FIA0-4200	REAR FENDER(RED)
	H3500-FIA0-5400	REAR FENDER(BLUE)
	H3500-FIA0-0700	REAR FENDER(SILVER)
	H3500-FIA0-2500	REAR FENDER(GREEN)
16-5	H3520-FIA0-0800	FOOTREST, PLACTIC PART, RIGHT
16-6	H3620-FIA0-0800	FOOTREST, PLACTIC PART, LEFT
16-7	H3720-FIA0-0800	TRIM,REAR RIGHT
16-8	H3820-FIA0-0800	TRIM,REAR LEFT
16-9	C7203-FIC0-0000	SPEEDOMETER BRACKET ASSY.
16-10	I0149-06016	BOLT, FLANGE HEAD(M6×16)
16-11	E0117-9EA0-0000	BUTTON HEAD SCREW(M6×18)
16-12	I5611-06200-0G	NUT ,CHECK
16-13	I0119-06821	BOLT,HEXAGON(M6×20)
16-14	I0149-06035	BOLT ,FLANGE (M6×35)
16-15	I8310-FIA0-0000	PLASTICS SCREW
16-16	I3402-06015	WASHER
16-17	H7129-FIA0-0000	STICKER,INDICATE GEAR
16-18	H7100-5FA0-0000	LABEL TIRE, WARNING
16-19	I2020-50001	NUT,NYLON
16-20	H7103-FIC1-0000	STICKER,YUKON ST.EXL150
16-21	F4303-FIB0-0800	HAED LIGHT COVER
16-22	I2804-04010-5C	SELF-TAPPING SCREW
16-23	I7707-04016	SELF-TAPPING SCREW
16-24	H7107-5EB0-0000	EMBLEM,E-TON LOGO(SILVER)



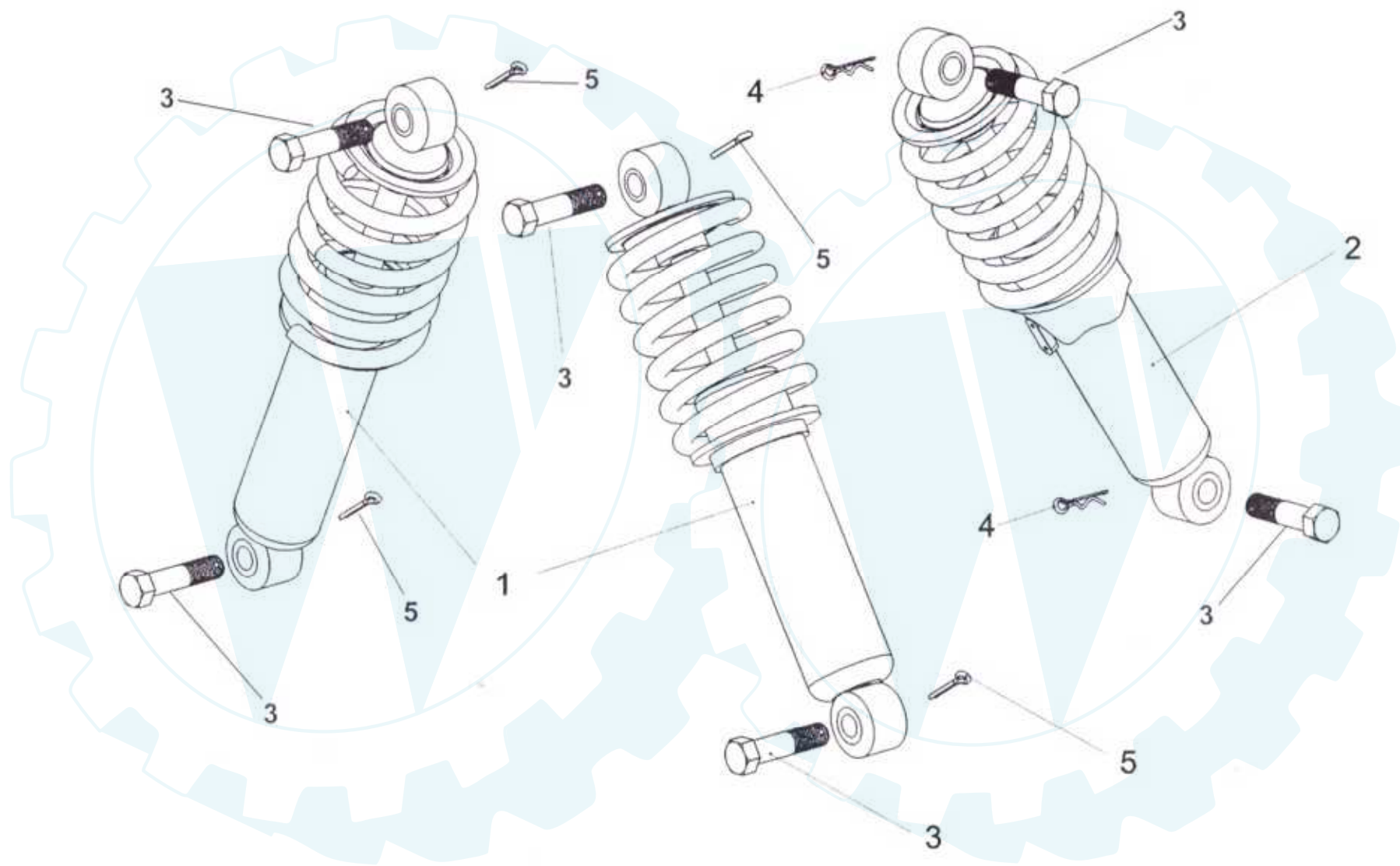


- 18-1 G720A-FIA0-0000 SEAT ASSY.
- 18-2 G7201-FIA0-0000 SEAT LOCK
- 18-3 I0149-06012 FLANGE BOLT(M6×12)





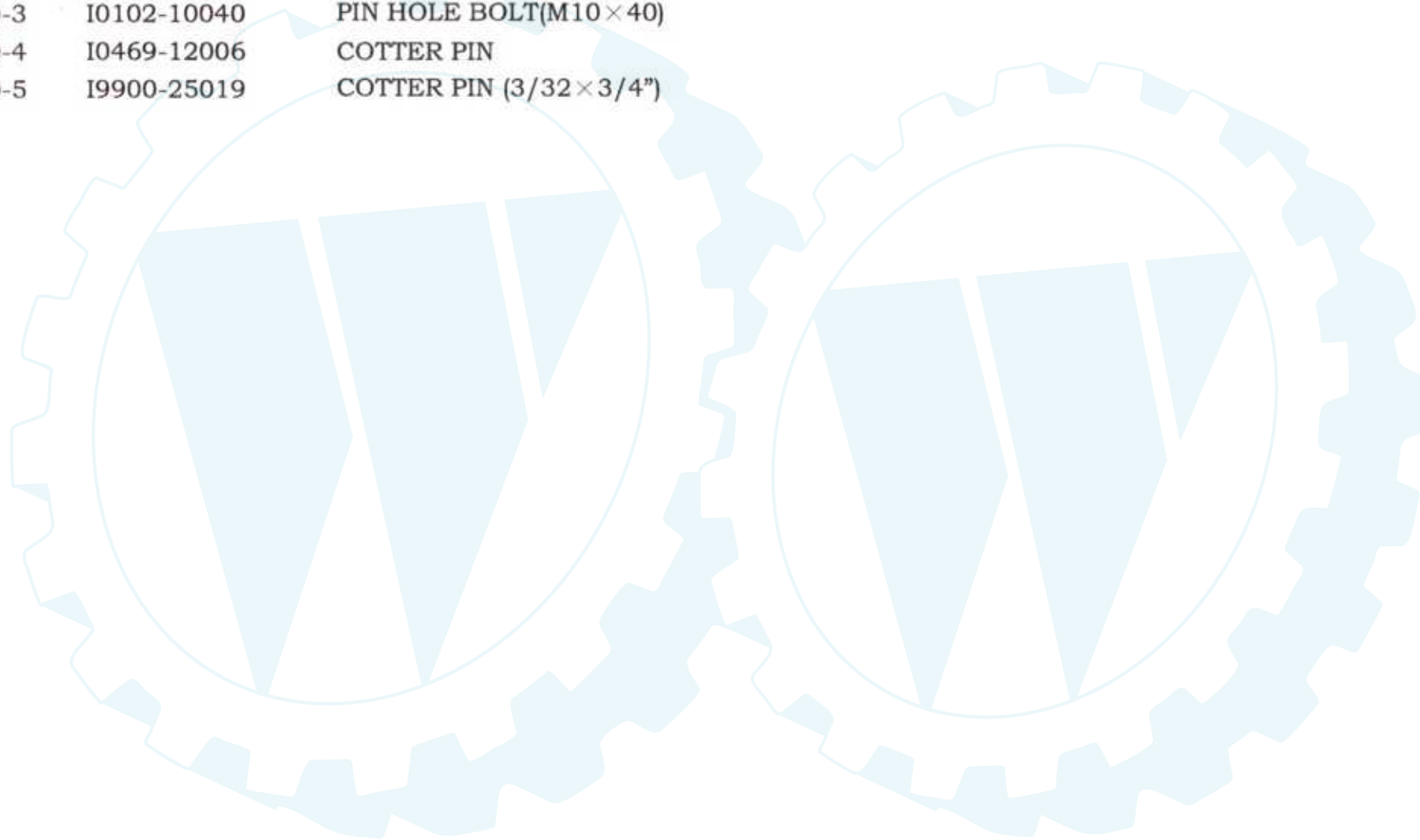
19-1	A7500-FIC0-0000	FUEL TANK COMP
19-2	A751A-FIA0-1000	FUEL FILTER ASSY.
19-2-1	A7519-FIA0-1000	FILTER COMP FUEL
19-2-2	A7516-5EA0-0000	CLIP(A)
19-2-3	A7517-FIA0-0000	CLIP
19-2-4	A7514-FIA0-0000	FUEL TUBE(A)
19-3	A7621-FIA0-0000	BREATHE TUBE
19-4	A7622-9FA0-0000	RUBBER PAD, FUEL TANK CAP
19-5	A7620-9FA0-0000	FUEL TANK CAP ASSY.
19-6	A7510-FIA0-0000	FUEL TANK RUBBER PAD
19-7	A6701-FIA0-0000	FUEL COCK ASSY.
19-8	A7511-FIA0-0000	RUBBER INSULATOR
19-9	A7512-FIA0-0000	FUEL TANK GASKET SPACER
19-10	C780A-FIA0-0000	METER FUEL LEVER
19-11	I7507-06225	BOLT ,HEXAGON HEAD
19-12	I0200-50160	BOLT,WITH WASHER(M5×16)
19-13	A751B-FIA0-0000	VACCVM TUBE COMP
19-13-1	A7518-FIA0-0000	CLIP

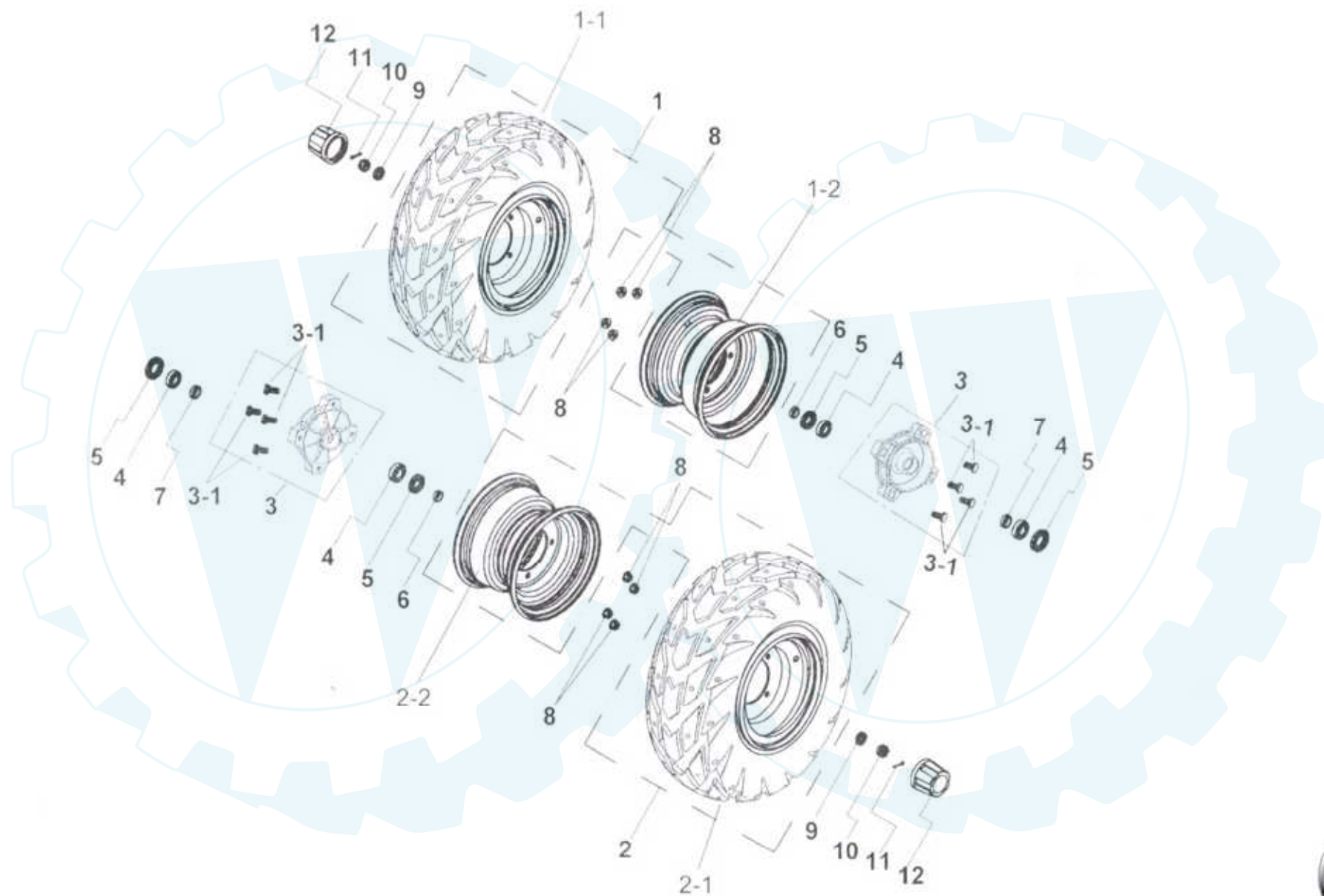


# Federung

20.1

- 20-1 E1105-FIA0-1000 SUSPENSION, FRONT
- 20-2 E2400-FIA0-0000 SUSPENSION, REAR
- 20-3 I0102-10040 PIN HOLE BOLT(M10×40)
- 20-4 I0469-12006 COTTER PIN
- 20-5 I9900-25019 COTTER PIN (3/32×3/4")





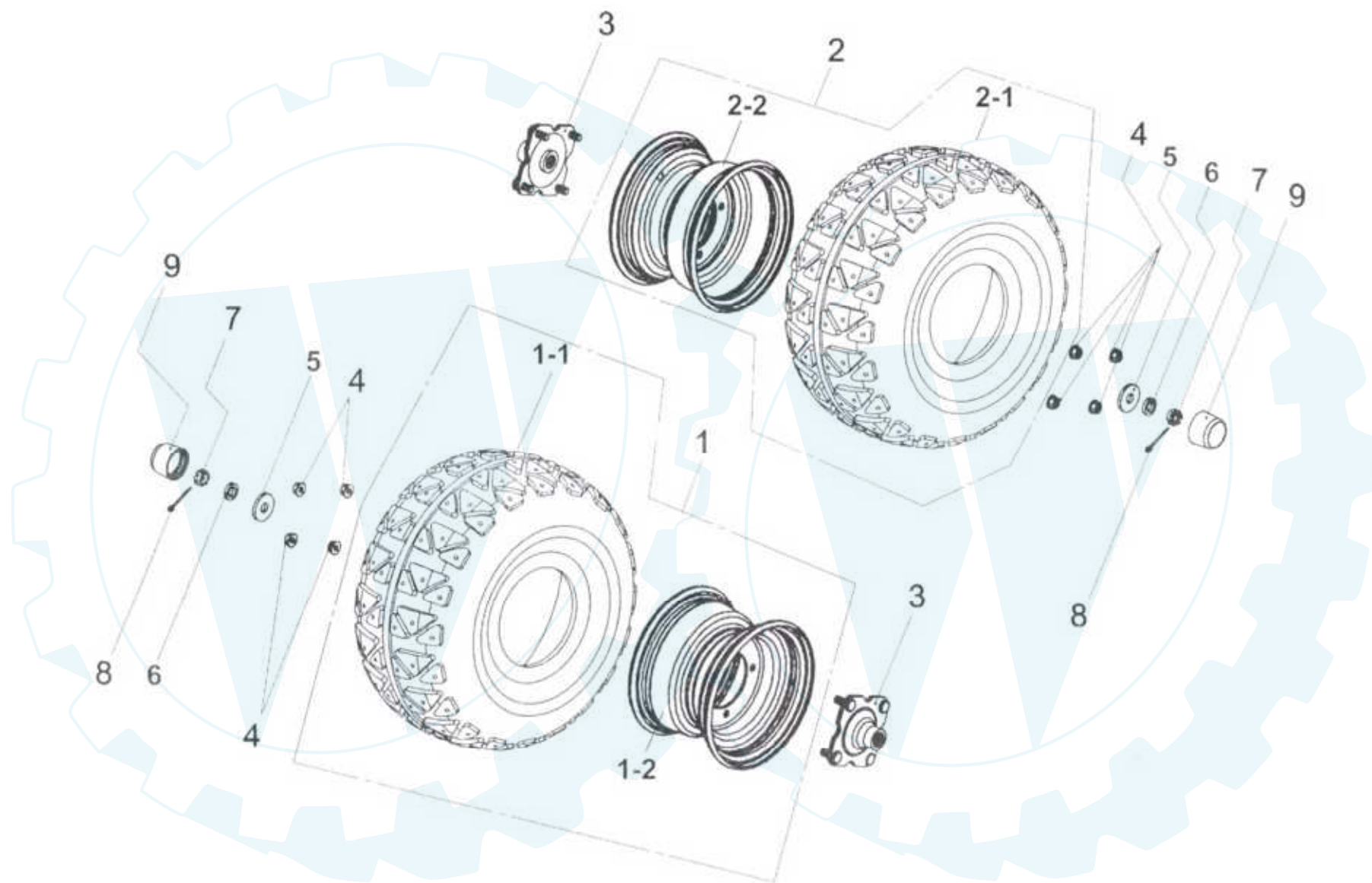
## Vorderreifen

21.1

21-1	D471A-FIC0-0000	FRONT WHEEL ASSY.,LEFT(21×7-10)
21-1-1	D4710-FIC0-0000	WHEEL TIRE (22×10-10)
21-1-2	D4601-FIA0-0000	WHEEL RIM (10"×5.5)
21-2	D471B-FIC0-0000	FRONT WHEEL ASSY.,RIGHT(21 7-10)
21-2-1	D4710-FIC0-0000	WHEEL TIRE (22×10-10)
21-2-2	D4601-FIA0-0000	WHEEL RIM (10"×5.5)
21-3	D4610-FIA0-0000	BRAKE DRUM, FRONT
21-3-1	D4612-9FA0-0000	BOLT,STUD
21-4	I6100-6003LLU	BEARING(6003-LLU)
21-5	I1307-24035-10	OUTER OIL SEAL( 24 35 7)
21-6	D4621-FIA0-0000	OUTER SPACER
21-7	D4620-FIA0-0000	INNER SPACER
21-8	D4611-9EA0-0000	FLANGE SELF-LOCK NUT(M10)
21-9	I9905-14200	WASHER( $\phi$ 15×24×2.3)
21-10	I5500-14100	CASTLE NUT(M14)
21-11	I9900-30032	COTTER PIN(1/8"×1 1/4")
21-12	D4609-9FA0-0000	RUBBER CAP



# Hinterreifen



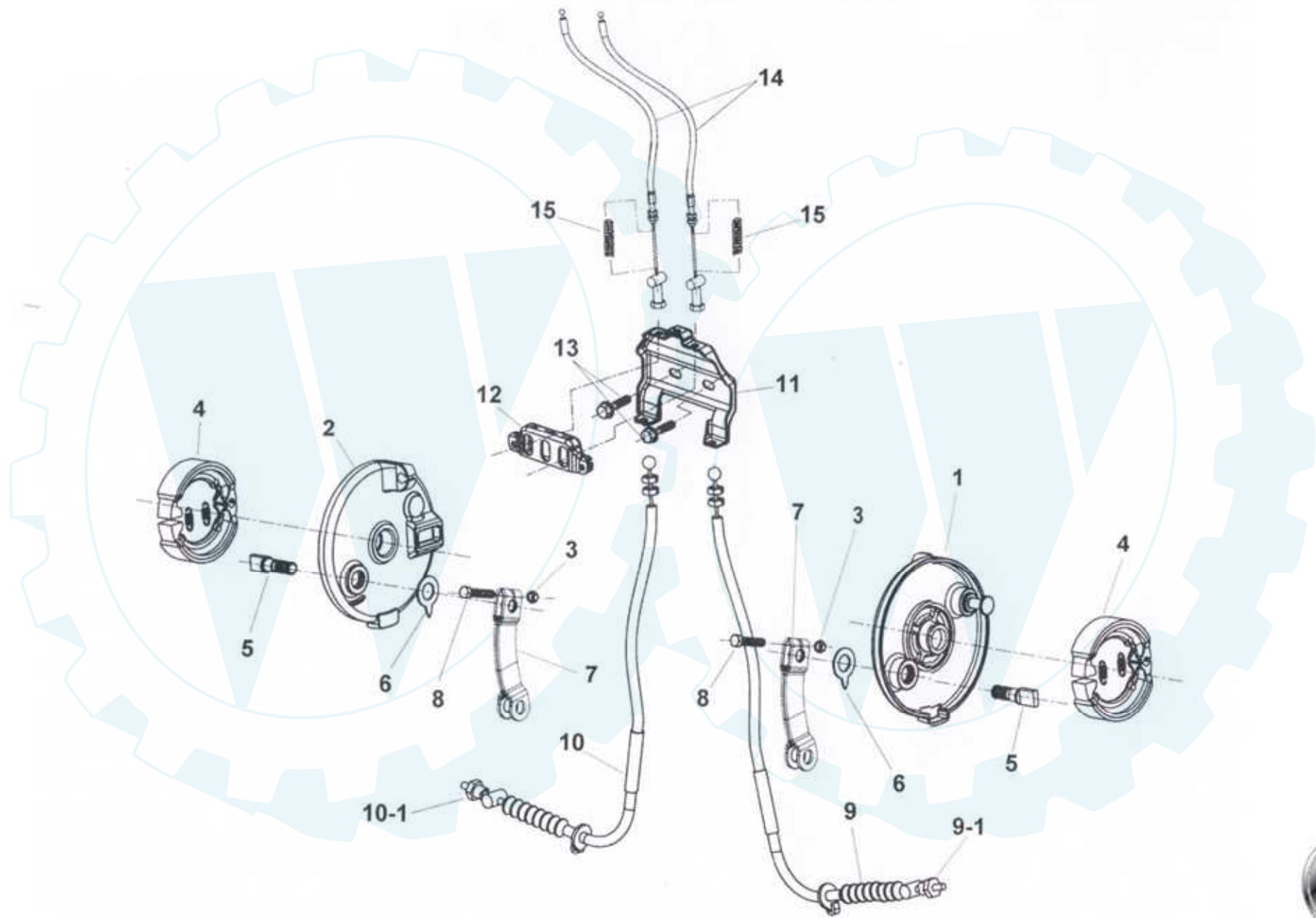


## Hinterreifen

22.1

22-1	D471C-FIC0-0000	REAR WHELL ASSY.,LEFT(22×10-8)
22-1-1	D4720-FIC0-0000	WHEEL TIRE (22×10-8)
22-1-2	D4602-FIC0-0000	WHEEL RIM (10"×8)
22-2	D471D-FIC0-0000	REAR WHELL ASSY.,RIGHT(22×10-8)
22-2-1	D4720-FIC0-0000	WHEEL TIRE (22×10-8)
22-2-2	D4602-FIC0-0000	WHEEL RIM (10"×8)
22-3	D2705-FIA0-1000	SHAFT CONNECTER WITH BOLTS
22-4	D4611-9EA0-0000	NUT,FLANGE CHECK(M10)
22-5	D2309-5EA0-0000	WHEEL AXLE WASHER, REAR( 14 40 4.5)
22-6	I9905-14200	WASHER( $\phi$ 15×24×2.3)
22-7	I5500-14100	CASTLE NUT(M14)
22-8	I9900-30032	COTTER PIN(1/8"×1/4")
22-9	D4609-5EA0-0000	RUBBER COVER

# Vorderbremse



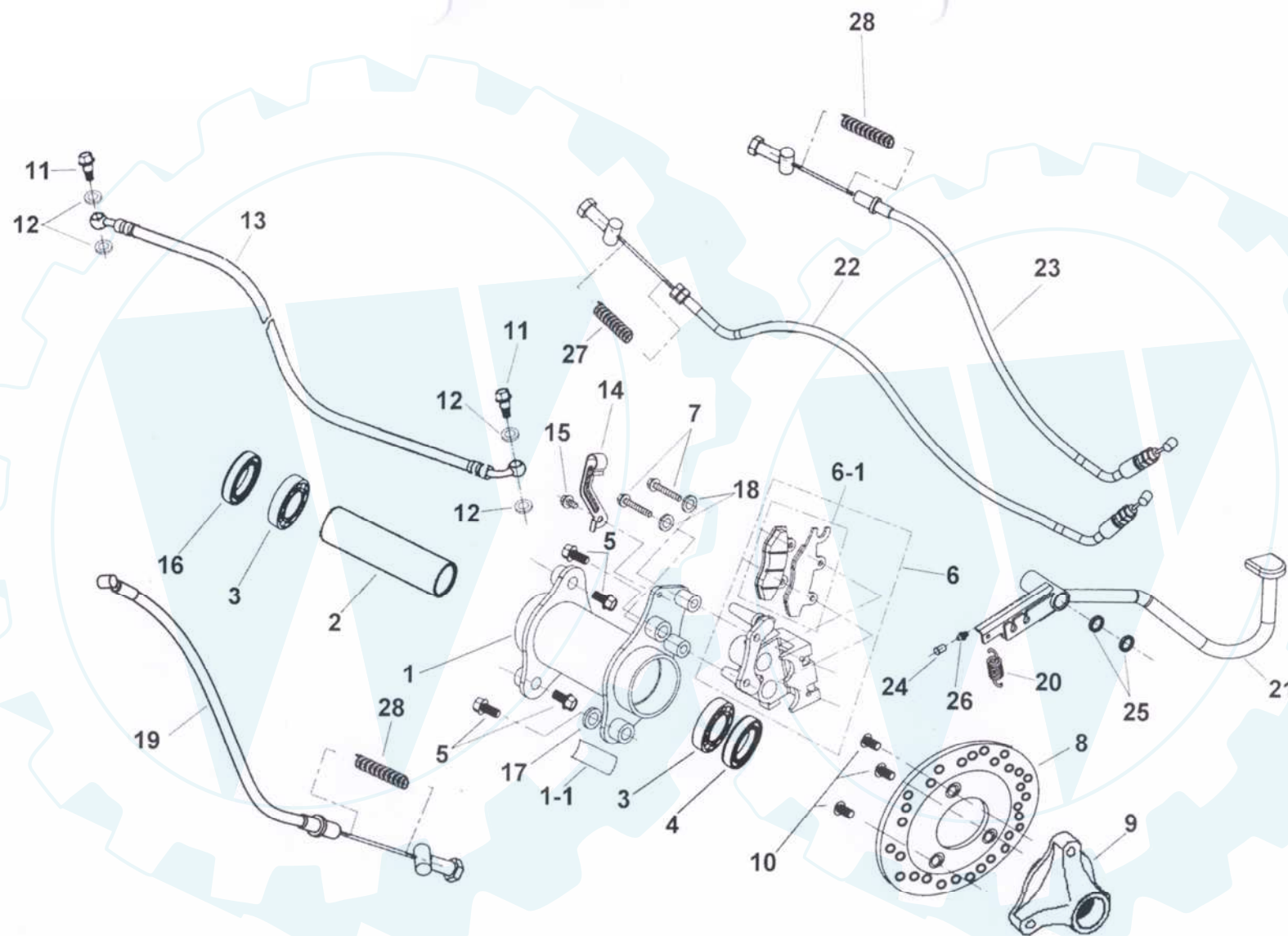
## Vorderbremse

23.1

23		FRONT BRAKE	
23-1	D5351-FIA0-0000	FRONT BRAKE PANEL COMP., LEFT	1
23-2	D5352-FIA0-0000	FRONT BRAKE PANEL COMP., RIGHT	1
23-3	I5707-06500	NUT,HEXANGE	2
23-4	D312A-A04-9000	FRONT BRAKE SHOE COMP. (φ80)	2
23-5	D5141-FIA0-1000	FRONT BRAKE ARM CAM	2
23-6	D5145-FIA0-0000	BRAKE INDICATOR,FRONT	2
23-7	D5410-FIA0-0000	FRONT BRAKE ARM	2
23-8	I0020-06030	BOLT,HEXAGON(M6×30)	2
23-9	E5450-FICO-0000	CABLE, FRONT BRAKE(LEFT)	1
23-9-1	E5452-FIA0-1000	NUT,ADJUSTING	1
23-10	E5451-FICO-0000	CABLE, FRONT BRAKE(RIGHT)	1
23-10-1	E5452-FIA0-1000	NUT,ADJUSTING	1
23-11	E5457-FICO-0000	BRAKE ALLOT ASSY.	1
23-12	E5458-FICO-0000	BRAKE BALANCE ASSY.	1
23-13	I0149-08040	BOLT,FLANGE	2
23-14	E5453-FICO-0000	CABLE,FRONT BRAKE ALLOT ASSY.	2
23-15	D3416-FICO-0000	FRONT SPRING BRAKE(L=65)	2



# Hinterbremse

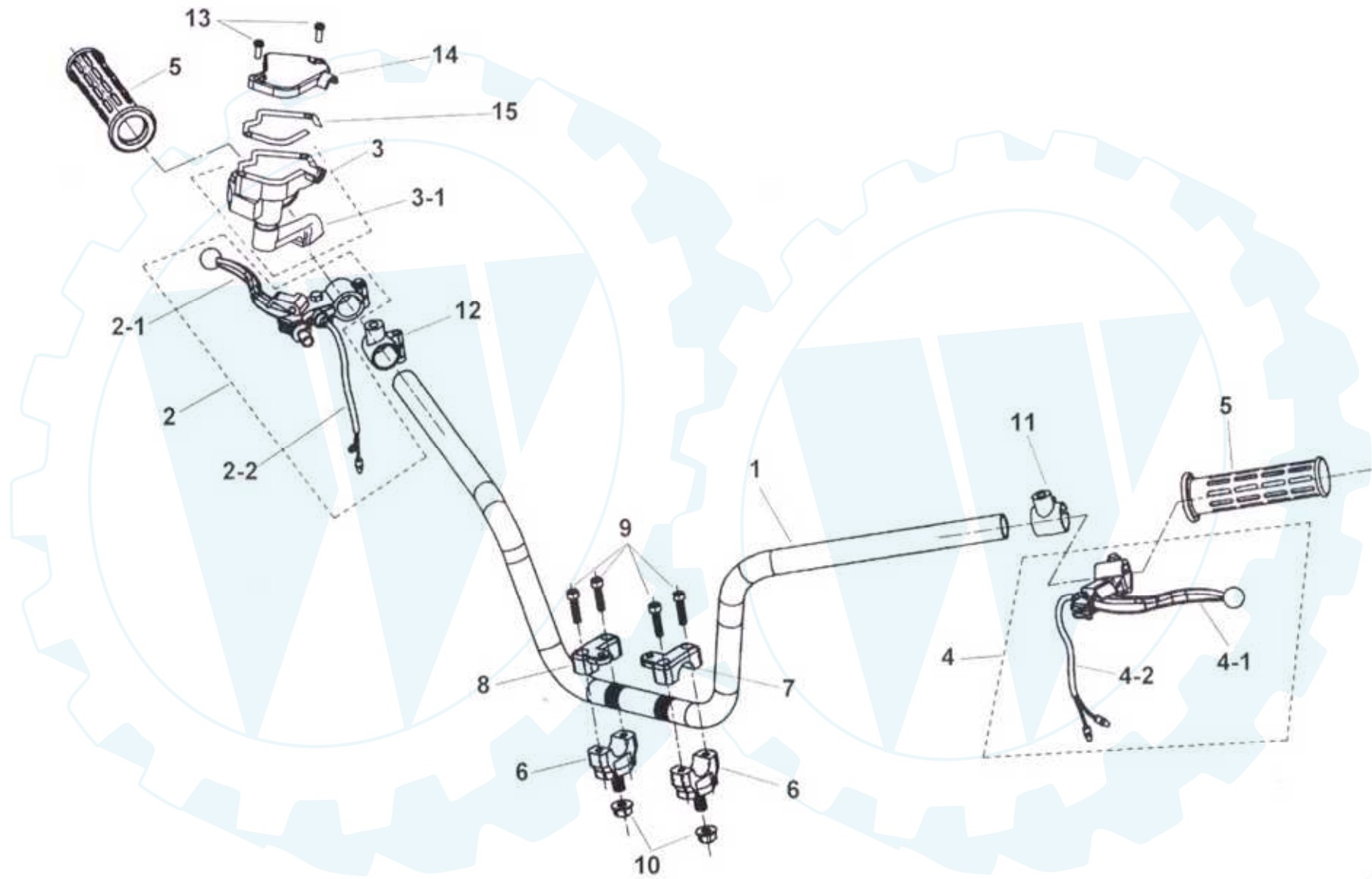


## Hinterbremse

24.1

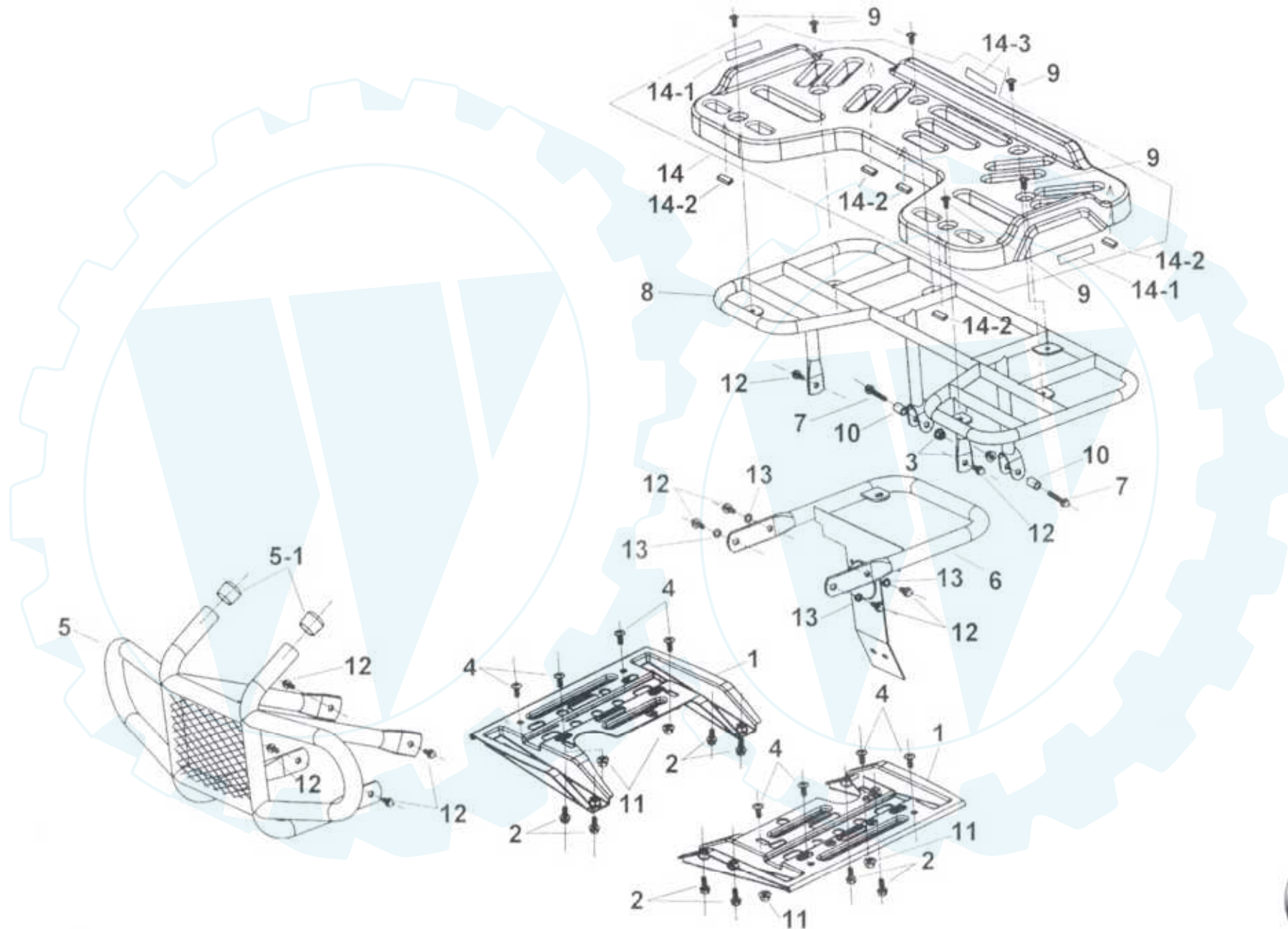
24		REAR BRAKE	
24-1	D2310-FIA0-1000	BEARING SEAT ASSY., REAR WHEEL AXLE	1
24-1-1	H7106-FIA0-0000	WARNING STICKER , CHAIN	1
24-2	D2311-FIA0-0000	SPACER	1
24-3	I6100-6007LLU	BEARING(6007LLU)	2
24-4	D2315-FIA0-0000	OIL SEAL( $\phi$ 43×62×12)	1
24-5	I0141-12036-01	BOLT,FLANGE (M12×36)	4
24-6	G7130-BCAO-0000	BRAKE CALLIPER	1
24-6-1	G7131-BCAO-0000	BRAKE SHOE COMP.,	1
24-7	I0105-08035	BOLT,FLANGE(M8×35)	2
24-8	D3520-FIA0-0000	BRAKE DISK	1
24-9	D3251-FIA0-0000	BRAKE DISK MOUNTING SEAT	1
24-10	I0110-10811	BOLT,ROUND HEAD(M10)	3
24-11	I0401-10034	UNION BOLT,BRAKE HOSE	2
24-12	I0201-10118	WASHER,PLATE	4
24-13	D3210-FICO-0000	BRAKE OIL TUBE	1
24-14	G7111-BCAO-0000	BRAKE FUEL TUBE, CLIP	1
24-15	I0149-06012	BOLT,FLANGE(M6×12)	1
24-16	D2313-FIA0-0000	OIL SEAL( $\phi$ 48×62×7)	1
24-17	D2203-5EAO-0000	WASHER ( $\phi$ 25×13×5)	1
24-18	I9901-08100	SPRING WASHER	2
24-19	E3450-FICO-0000	CABLE ,HEAND REAR BRAKE ASSY.	1
24-20	I5016-FICO-0000	BRAKE PEDAL SPRING	1
24-21	E0708-FICO-0000	BRAKE PEDAL	1
24-22	E0452-FICO-0000	CABLE, PEDAL MIDDLE BRAKE ASSY.	1
24-23	E0453-FICO-0000	CABLE, REAR PEDAL BRAKE ASSY.	1
24-24	E0209-5EAO-0000	CAP,GREASE VALVE	1
24-25	D2314-FIA0-0000	O-RING(w2.4×d13.8)	2
24-26	I6600-06000	GREASE VALVE(1/4")	1
24-27	D3416-FICO-0000	FRONT SPRING BRAKE(L=65)	1
24-28	D3417-FICO-0000	REAR SPRING BRAKE(L=80)	2

# Lenker



25-1	E3100-FIA0-0000	HANDLE BAR ASSY.
25-2	E3180-FIC0-0000	LEVEL ASSY. RIGHT
25-2-1	E3181-FIA0-0000	LEVEL,RIGHT
25-2-2	E3174-5EA0-0000	BRAKE SWITCH ASSY.
25-3	E3180-4HA0-0000	ACCELERATE ASSY. RIGHT
25-3-1	E319A-4HA0-0000	LEVER ACCELERATE
25-4	E3170-FIA0-0000	LEVEL ASSY., LEFT
25-4-1	E3171-FIA0-0000	LEVEL,LEFT
25-4-2	E3174-5EA0-0000	BRAKE SWITCH ASSY.
25-5	E3166-5EA0-0000	GRIP HANDLE
25-6	E3112-5EA0-0000	HANDLE BAR CLAMP, BOTTOM
25-7	E3110-5EA0-0000	HANDLE BAR CLAMP, CAP, LEFT
25-8	E3111-5EA0-0000	HANDLE BAR CLAMP, CAP, RIGHT
25-9	I0050-06025	SCREW ,SOCKET (M6 × 25)
25-10	I5611-10200	NUT,FLANGE CHECK (M10)
25-11	E3113-5FA0-0000	A MIRRER BRACKET(LEFT)
25-12	E3114-5FA0-0000	A MIRRER BRACKET(RIGHT)
25-13	I8506-04016	SCREW,PAN HEAD(M4 × 16)
25-14	E3183-4HA0-0000	COVER,RIGHT LEVEL
25-15	E3188-5EA0-0000	GASKET, RIGHT LEVEL

# Stoßstange, Fußrasten





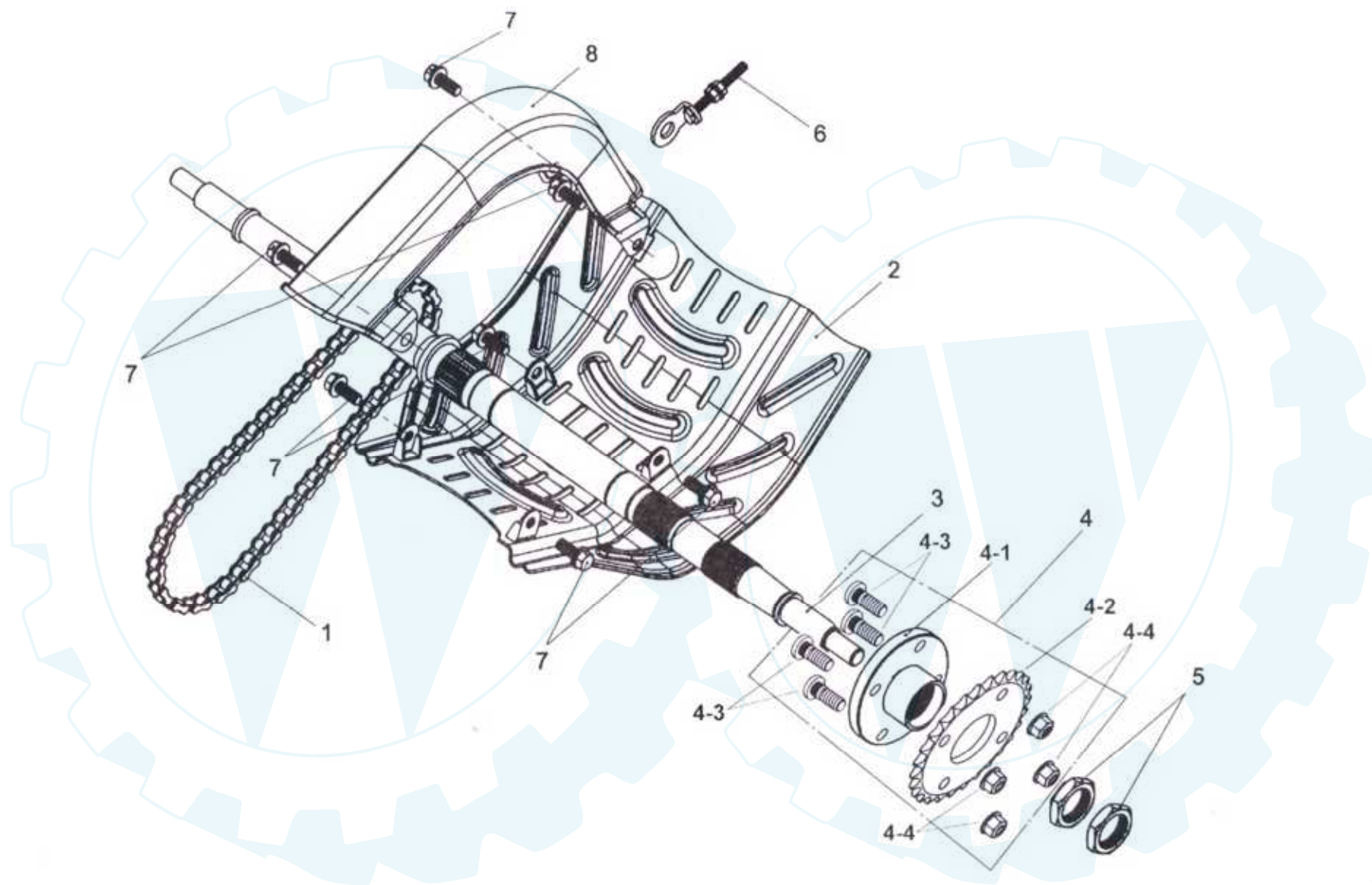
## Stoßstange, Fußrasten

26.1

26-1	E0700-FIA0-0000	FOOTREST BAR
26-2	I7507-FIA0-0000	SCREW,HEXAGON HEAD WITH WASHER(M8 16)
26-3	I5616-08200	NUT,FLANGE CHECK(M8)
26-4	I0149-06823	SCREW,BUTTON HEAD
26-5	E0400-FIC0-0000	BUMPER ASSY.
26-5-1	E0401-FIC0-0000	PLUG,BUMPER
26-6	E0410-FIC0-0000	REAR BAR ASSY.
26-7	I0105-08040	BOLT ,FLANGE (M8 × 40)
26-8	E0411-FIC0-0000	REAR PACK
26-9	E0117-9EA0-0000	SCREW,BUTTON HEAD (M6 × 18)
26-10	E0402-9FA0-0000	COLLAR, BUMPER
26-11	I5611-06200	NUT,SPRING
26-12	I0149-08016	BOLT ,FLANGE (M8 × 16)
26-13	I9901-08100	SPRING WASHER
26-14	F4001-FIC0-0000	CARRITR COVER REAR
26-14-1	H7117-FIB0-0000	REAR REFLECTOR,STICKER
26-14-2	C1501-FIB0-0000	FOAM-RUBBER STICK
26-14-3	H7113-9FB0-0000	STICKER ,PACKAGE




# Hinterachse

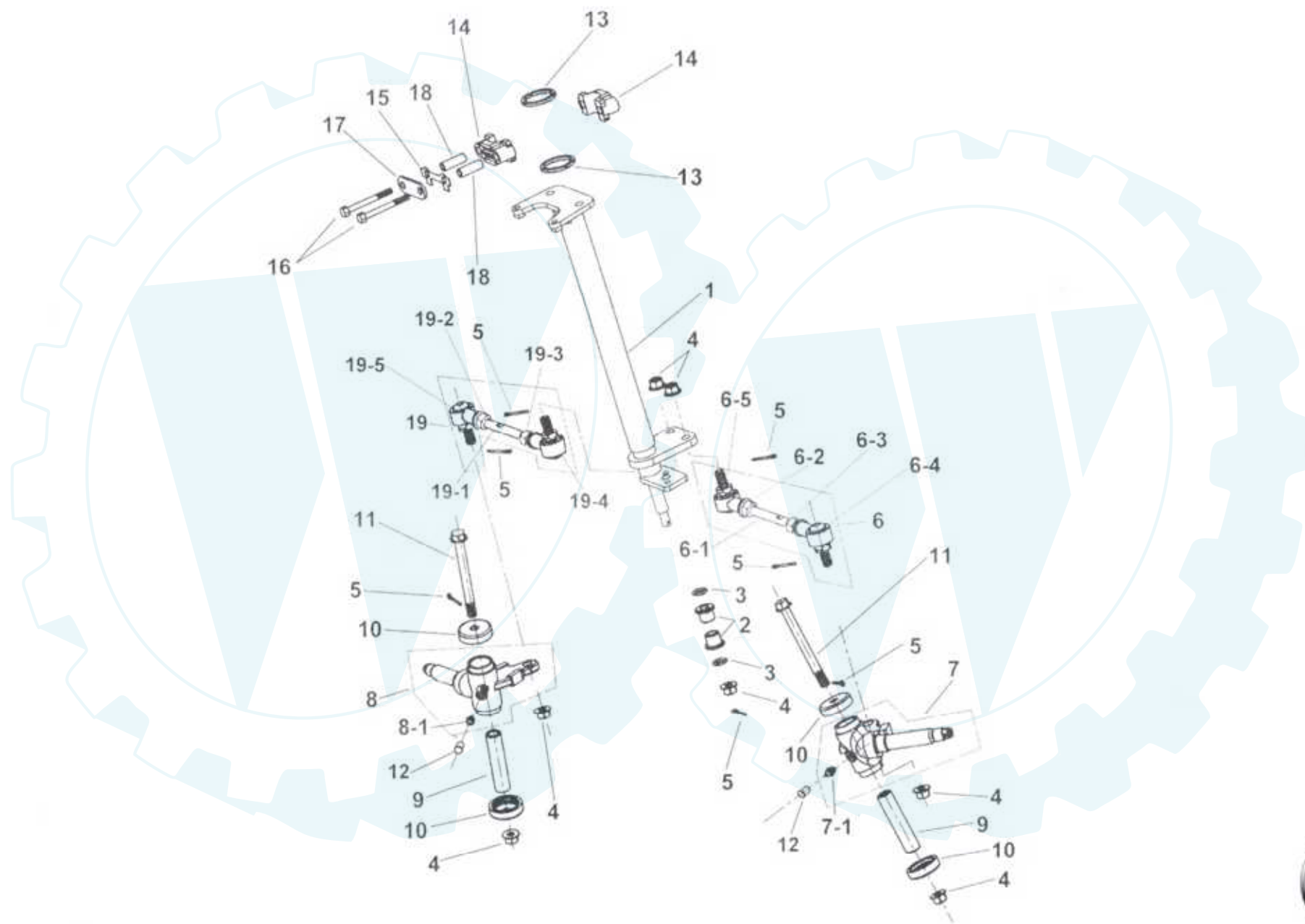


# Hinterachse

27.1



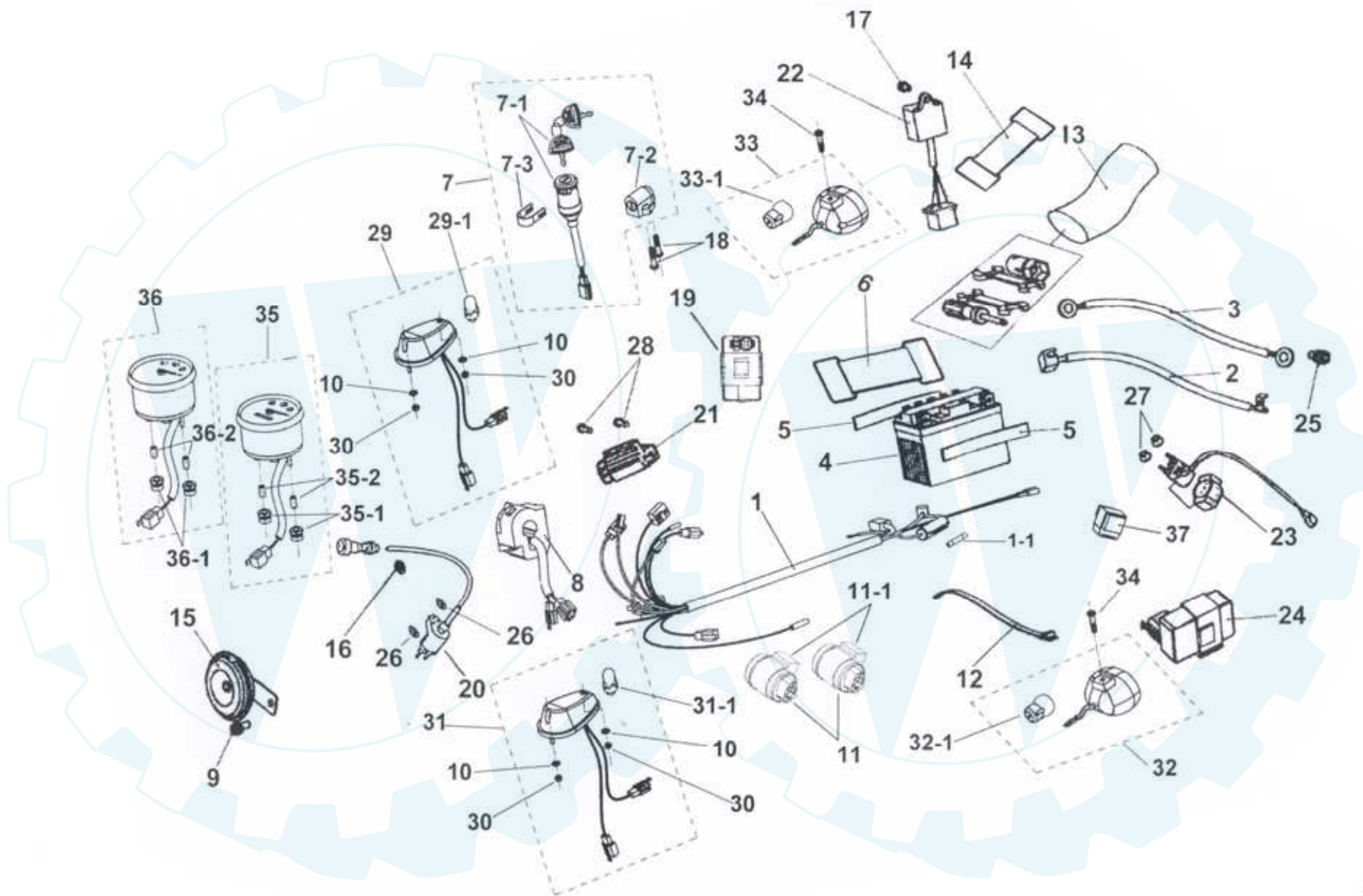
27-1	D0100-FIB0-0000	DRIVE CHAIN ASSY.
27-2	D0101-FIA0-0000	PROTECT COVER
27-3	D2301-FIA0-0000	REAR AXLE
27-4	D0110-FIA0-0000	SPROCKET HOLDER,REAR ASSY.
27-4-1	D0111-FIA0-0000	SPROCKET HOLDER,REAR(34T)
27-4-2	D1111-FIA0-0000	GEAR(520×34T)
27-4-3	D2706-9EA0-0000	STUD(M10)
27-4-4	I5611-10200	NUT,HEXAGON CHECK(M10)
27-5	D2302-FIA0-0000	NUT REAR WHEEL AXLE(M28×1.5)
27-6	D0120-FIA0-0000	ADJUSTER, CHAIN
27-7	I0149-08016	FLANGE BOLT(M8×16)
27-8	D0102-FIA0-0000	DRIVE CHAIN COVER



28-1	E3200-FIC0-0000	SHAFT ASSY., STEERING
28-2	E3201-FIA0-0000	OIL LINER
28-3	E3204-FIA0-0000	O-RING (W2.4×d14.8)
28-4	I5611-10200	NUT,FLANGE CHECK (M10)
28-5	I9900-25019	COTTER PIN(3/32"×3/4")
28-6	E0258-FIA0-1000	STEERING TIE-ROD ASSY,LEFT
28-6-1	E0251-FIA0-1000	BOLT,STUD
28-6-2	E0252-5EA0-0000	NUT(R)
28-6-3	E0253-5EA0-0000	NUT(L)
28-6-4	E0255-FIA0-1000	UNIVERSAL JOINT(L)
28-6-5	E0256-FIA0-1000	UNIVERSAL JOINT(R)
28-7	E0205-FIA0-1000	KNUCKLE, LEFT
28-7-1	I6600-06000	GREASE VALVE
28-8	E0215-FIA0-1000	KNUCKLE, RIGHT
28-8-2	I6600-06000	GREASE VALVE
28-9	E0211-9FA0-0000	SLEEVE
28-10	E0203-9FA0-0000	CAP
28-11	I0102-10105	FLANGE PIN HOLE BOLT(M10×105)
28-12	E0209-5EA0-0000	CAP, GREASE VALVE
28-13	E3209-FIA0-0000	OIL SEAL(φ 31.8×37.8×4)
28-14	E3202-FIA0-0000	HOLDER, STEERING SHAFT
28-15	E3203-FIA0-0000	FIX PLATE, STEERING SHAFT
28-16	I0020-08060	BOLT,HEXAGON HEAD(M8×60)

28-17	E3210-FIA0-0000	HOLDER, STEERING SHAFT PRESSED PLATED
28-18	E3208-FIA0-0000	STEERING , COLLAR
28-19	EO259-FIA0-1000	STEERING TIE-ROD ASSY,RIGHT
28-19-1	EO251-FIA0-1000	BOLT,STUD
28-19-2	EO252-5EAO-0000	NUT(R)
28-19-3	EO253-5EAO-0000	NUT(L)
28-19-4	EO255-FIA0-1000	UNIVERSAL JOINT(L)
28-19-5	EO256-FIA0-1000	UNIVERSAL JOINT(R)



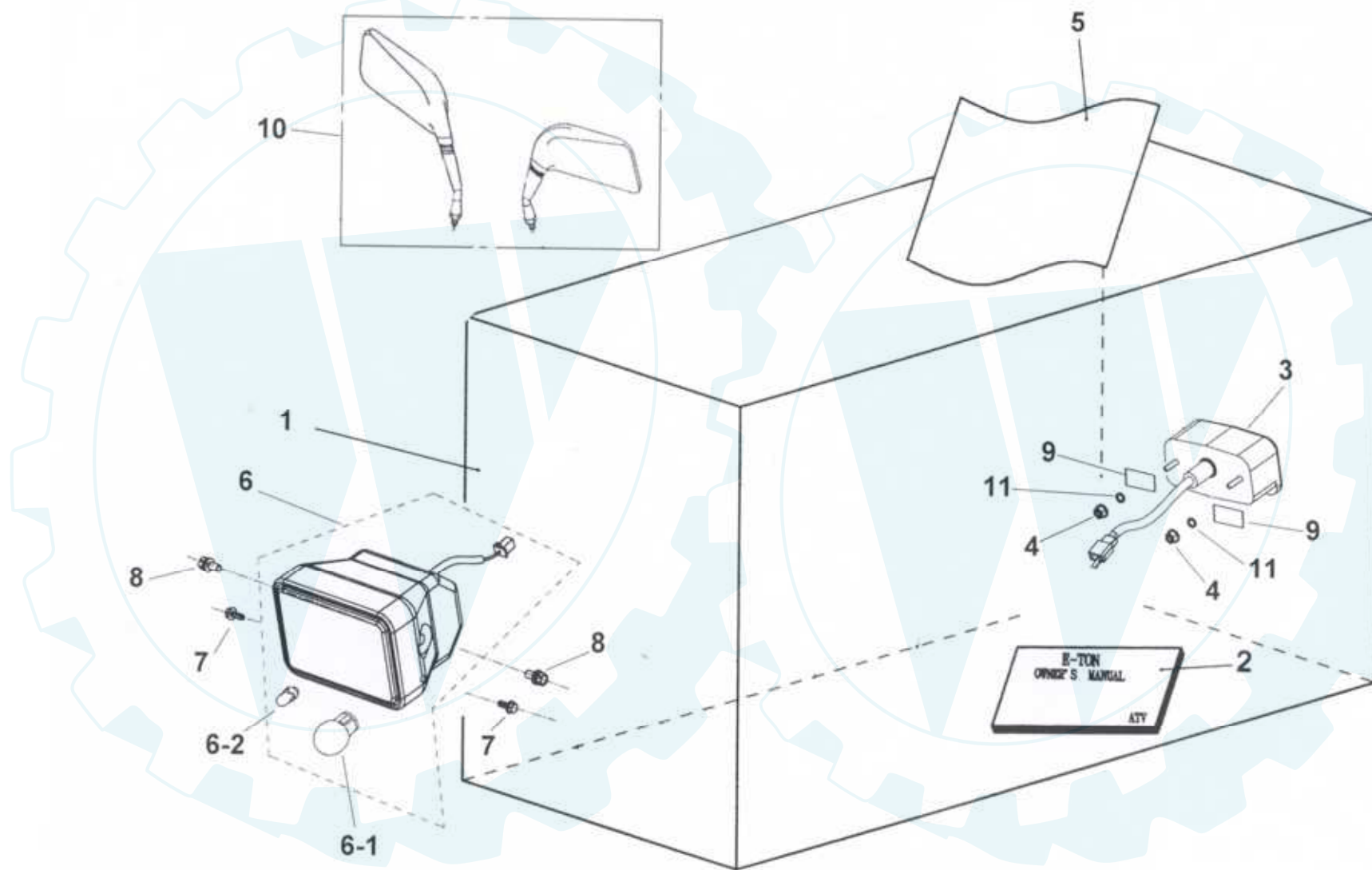


29-1	C2100-FICO-0000	MAIN WIRE ASSY.
29-1-1	C2010-FIA0-0000	FUSE (10A)
29-2	C2101-FIA0-0000	POSITIVE HIGHT PRESSURE CABLE
29-3	C2102-FIA0-1000	NEGATIVE LOW PRESSURE CABLE
29-4	C1500-FIA0-0000	BATTERY
29-5	C1501-9FA0-0000	FOAM RUBBER STRIP
29-6	C1502-9FA0-0000	RUBBER CLAMP, BATTERY(89L)
29-7	C5010-FICO-0000	MAIN SWITCH ASSY.
29-7-1	C5010-9FA0-0000	MAIN SWITCH
29-7-2	C5011-FICO-0000	FAUCET LOCK
29-7-3	C5012-FICO-0000	PLATE FIXING
29-8	C5200-FICO-0000	LEVER HOLDER ASSY., LEFT
29-9	I8556-06016	SCREW WITH WASHER(M6×16)
29-10	I3402-06015	WASHER
29-11	C830A-EGA0-0000	FLY RELAY ASSY.
29-11-1	C8302-EGA0-0000	CHSHION WINKER
29-12	H3936-5AA0-0000	WIRE CLAMP
29-13	H9020-FIA0-0000	TOOL PACK
29-14	H9021-9FA0-0000	TOOL PACK CLAMP
29-15	C8110-5BA0-E000	HORN
29-16	I0020-05024	BOLT(M5×24)
29-17	I8556-06012	SCREW WITH WASHER
29-18	I8501-5BA1-0000	BOLT,BROKENABLE
29-19	C0410-V30-9001	C.D.I. UNIT ASSY.



29-20	C0510-V30-0000	IGNITION COIL ASSY.
29-21	C1600-B00-9000	RECTIFIER & REGULATOR
29-22	C1850-V30-0000	PTC CONTROLLER
29-23	C5850-A04-0000	STARTER RELY ASSY.
29-24	C576A-V30-0000	LIGHT CONTROLLER
29-25	I8557-06012	SCREW ,WITH WASHER(M6×12)
29-26	I2140-60001	WASHER
29-27	I2020-60000	NUT,HEX-FINE
29-28	I0153-06839	SCREW
29-29	C3401-FICO-0000	FRONT TURN LAMP ASSY.(RIGHT)
29-29-1	F1231-FICO-0000	BULB
29-30	I2020-40001	NUT,NYLON(M4)
29-31	C3451-FICO-0000	FRONT TURN LAMP ASSY.(LEFT)
29-31-1	F1231-FICO-0000	BULB
29-32	F1240-5FA0-0000	REAR TURN LAMP ASSY.(LEFT)
29-32-1	F1231-5FA0-0000	BULB
29-33	F1230-5FA0-0000	REAR TURN LAMP ASSY.(RIGHT)
29-33-1	F1231-5FA0-0000	BULB
29-34	I2110-50000	SCREW,CROSS RECESS HEAD
29-35	C7201-FICO-0000	SPEED METER ASSY.
29-35-1	C7204-FICO-0000	RUBBER WASHER
29-35-2	E0406-FICO-0000	COLLAR

29-20	C0510-V30-0000	IGNITION COIL ASSY.
29-21	C1600-B00-9000	RECTIFIER & REGULATOR
29-22	C1850-V30-0000	PTC CONTROLLER
29-23	C5850-A04-0000	STARTER RELY ASSY.
29-24	C576A-V30-0000	LIGHT CONTROLLER
29-25	I8557-06012	SCREW ,WITH WASHER(M6×12)
29-26	I2140-60001	WASHER
29-27	I2020-60000	NUT,HEX-FINE
29-28	I0153-06839	SCREW
29-29	C3401-FICO-0000	FRONT TURN LAMP ASSY.(RIGHT)
29-29-1	F1231-FICO-0000	BULB
29-30	I2020-40001	NUT,NYLON(M4)
29-31	C3451-FICO-0000	FRONT TURN LAMP ASSY.(LEFT)
29-31-1	F1231-FICO-0000	BULB
29-32	F1240-5FA0-0000	REAR TURN LAMP ASSY.(LEFT)
29-32-1	F1231-5FA0-0000	BULB
29-33	F1230-5FA0-0000	REAR TURN LAMP ASSY.(RIGHT)
29-33-1	F1231-5FA0-0000	BULB
29-34	I2110-50000	SCREW,CROSS RECESS HEAD
29-35	C7201-FICO-0000	SPEED METER ASSY.
29-35-1	C7204-FICO-0000	RUBBER WASHER
29-35-2	E0406-FICO-0000	COLLAR
29-36	C7202-FICO-0000	FUEL METER ASSY.
29-36-1	C7204-FICO-0000	RUBBER WASHER
29-36-2	E0406-FICCO-0000	COLLAR
29-37	C5850-B00-0000	STARTER RELY ASSY.



30-1	H9500-FIB0-0000	PACKING CASE,EXTERNAL
30-2	H9900-FIC0-0000	OWNER'S MANUAL
30-3	C3700-5BA0-0000	TAIL LIGHT ASSY.
30-4	I5611-06200-0G	NUT,CHECK
30-5	H9907-FIA0-0000	E-TON PRODUCT SET-UP PROCESS
30-6	C5030-FIC0-0000	HEAD LIGHT ASSY.
30-6-1	C5003-FIC0-0000	BULB,HEAD LIGHT
30-6-2	C5004-FIC0-0000	POSITION LIGHT BULB
30-7	I2110-50000	SCREW,CROSS RECESS HEAD
30-8	I7507-FIA0-0000	BOLT,HEXAGON HEAD WITH WASHER
30-9	C1501-5FA0-0000	FOAM-RUBBER STICK
30-10	H8100-5BA1-0000	BACK MIRROR ASSY.
30-11	C510C-FIA0-0000	RUBBER,WASHER